

Mod: WR-RTS/1E

Production code: ELR 2_

INSTRUCTION FOR USE AND INSTALLATION ELECTRIC BOILING TOPS



Made in France

ELECTRIC BOILING TOPS

ELR 2 / ELR 3 / ELR 4

Congratulations for the acquisition of this upmarket appliance made in France. You chose an appliance which alloys the best technical qualities with a big user-friendliness. We wish you the biggest contentment.

1. SECURITY INSTRUCTIONS

Please respect these instructions scrupulously to avoid any risk of fire, electric shock, scald or other wounds and damage. During the use of this appliance, fundamental circum-spection of security must always be noticed, such as:

- Take into account the instructions to be systematically kept with the appliance.
- Install the appliance always in instructions respect. A 10 cm distance minimum with the partition or the wall is necessary.
- Protect the appliance from direct light of the sun, frost and humidity.
- Never leave the appliance within the reach of children or disabled persons without surveillance.
- Ensure that only trained personnel operate the appliance.
- Never move the appliance when it is working or when the surfaces of cooking are still hot.
- Check that the appliance is definitely off before connecting it up or disconnecting it.
- Do not touch the hot surfaces of the appliance. The temperature of the hot surfaces can be very important when the appliance is working. Always use control knobs.

- Do not use the appliance for other functions than determined use.
- Do not leave the electrical cord in contact of hot surfaces.
- The appliance should not be used close to combustible materials.
- During use, look after not to obstruct hearings of aeration of the appliance.
- To avoid any electric shock, never plunge the appliance, the cord or plug in water or quite other liquid.
- If the cord is harmed, it must be replaced by the producer, his after sale service or persons of similar skills to avoid any risk.
- Entrust repairs only to a skilled person.
- Use only spare parts of origin.
- At the end of cooking, before cleaning the appliance, do not forget to disconnect it.

2. CONTENTS OF CARDBOARD PACKAGING

Device: A boiling top

Accessory: - The present note

See exploded views for ELR 2 / ELR 3 / ELR 4 at the end of the document.

3. CONFORMITY OF USE

Use the machine only to cook or keep warm some foods.

4. WAY OF FUNCTIONING

These electric boiling tops are compact, in stainless steel with 1 and 2 cooking areas according to models:

ELR 2 : 1 electric plate diameter 23 cm

ELR 3 : 2 electric plates diameter 18 cm

ELR 4 : 2 electric plates diameter 23 cm

To turn on the plates, turn on the commutator (n°1 on picture) on the wished position, (from 0 to 6). The pilot light (n°2 on picture) ignites. The appliance is on and is heating.

The temperature can be regulated thanks to commutator (n°1 on picture).



1 Commutator

2 Pilot light on/off

5. FUNCTIONING / MANIPULATION

a) Installation / assembly:

- Unpack carefully the device of its packaging.
- Place the device on a plane and heatproof surface.
- Never place the device near a wall or near a partition made of combustible materials even if it is very well isolated.
- A distance of minimum 10 cm with the partition or the wall is necessary.

b) First starting:

During the first use, warm your machine up outside during about 30 min to evacuate residual smokes of manufacturing oil from the metallic parts. This may emit a slight smell for a few moments.

First cleaning

Clean the device before the first use. (See 6 Cleaning)

Connection of the device

- Check that the tension and the frequency of the electricity network suit to the values indicated on the descriptive plate.
- Check that neither the cord nor the plug are damaged.
- Make sure that every control knob is positioned on 0.
- Unwind completely the electric power cable and connect it in a plug connected with the earth.
- The device is connected.

NB: in case of connection of the device in a plug without earth protection or directly on the electricity network, confide its connection to a qualified person .

c) Use of device :

Elements of command and display

Command/Display	Function
Commutator 7 positions (n°1 on picture) Position 0 Position 6	Stop Maximum
Orange pilot light (n°2 on picture)	Warming up (pilot light on) Desired temperature reached (pilot light off)

Putting on

Turn on the commutator (n°1 on picture) on wished position. The orange pilot light (n°2 on picture) is on. The machine is warming up and is working.

Temperature setting

Set the power by positioning the commutator (n°1 on picture) to the desired position.

Stopping the appliance

Set commutator (n°1 on picture) on 0: the appliance is no longer functioning.
Disconnect the power cable.
Let the device cool.
Clean the appliance. (see 6. Cleaning)

d) Breakdown / repair:

In case of breakdown or of damaged part, please call your after-sales service and confide any technical operation to qualified person.

When you contact the after-sales service of your distributor or your store, give him the complete reference of your device (commercial name, type and serial number). This information appears on the visible descriptive plate behind the device.

6. CLEANING AND MAINTENANCE

Disconnect the device.

- Let cool completely the device before any technical intervention or cleaning.
- For cleaning, only use non-abrasive products, clean regularly the external walls of your device with warm water and wash liquid: avoid the abrasive towelling. Rinse your device with a wet sponge.
- Dry the machine with clean and soft cloth
- Never clean the device under a water jet, the infiltrations would risk to damage it in a irreparable way.
- Never immerse the device, the cord or the plug in the water or quite other liquid to avoid any electric shock.
- During a prolonged non-use, we recommend you strongly to keep the device shielded from the humidity.

7. TECHNICAL SPECIFICATIONS

Models	ELR2	ELR 3	ELR4
Outside dimensions	350x400x155 mm	650x400x155 mm	650x400x155 mm
Weight	7 kg	10 kg	11 kg
Power	2000 W	2 x 1500 W	2 x 2000 W
No element	1	2	2
Current	8.5 A	13 A	8.5 A / Phase
Voltage	220-240 V ~	220-240 V ~	380-415 V 3 N~

Wires colours correspondance	Phase 1	Brown
	Phase 2	Black
	Phase 3	Grey
	Neutral	Blue
	Earth	Yellow-Green

8. NORMS AND LEGALS DISPOSALS

The device is conform to :

- IEC/EN 60335-1
- IEC/EN 60335-2-36
- EN 55014-1 + 55014-2
- EN 61000-3-2 + 61000-3-3

9. ELIMINATION OF THE ELECTRIC AND ELECTRONIC WASTE

The device respects the directives:

2002 / 96 / CE (DEEE) N°34270064800021
2002 / 95 / CE (ROHS)
2006/95 CE
2004/108 CE



Reach rule

Never put the device among household waste.

The device must be put down in a centre of recycling for the electric equipments.

The materials of the device are indeed reusable. By eliminating correctly the electric and electronic wastes, the recycling and quite other shape of re-use of worn equipments, you participate in a significant way in the environmental protection.

For any information about the collection of electric and electronic waste, please contact your distributor.

10. GUARANTEE

Conditions of guarantee

The guarantee applicable to any device is the commercial guarantee of the distributor or the retailer. Please contact the store where you bought your device to know the precise conditions.

The guarantee grants no right for damages.

The dispositions which follow are not exclusive of the profit of the legal guarantee planned by articles 1641 and following ones of the Civil code relative to the defects and the latent defects.

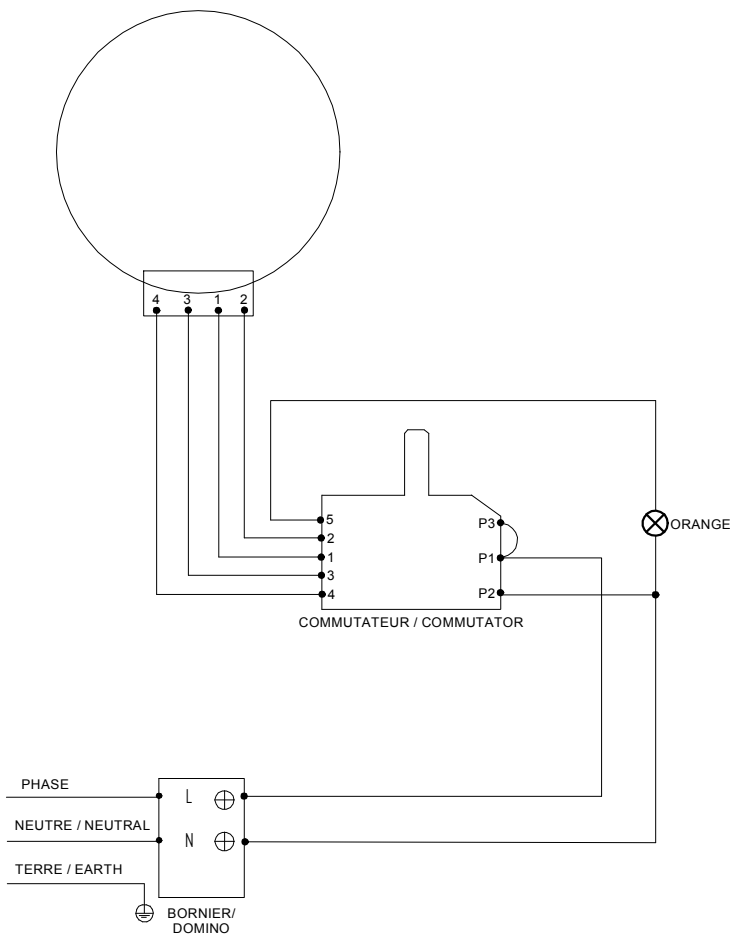
Exclusion clauses of the guarantee

Bad installation and bad maintenance, in particular if they do not respect current regulations or instructions appearing in this user guide.

Cannot benefit from the guarantee the repairs required as a result of false operations, of inappropriate use, of carelessness or of excess loads of the device, as well as those resulting from variations of the power supply, over tension or from defective installations.

The damage due to shocks, bad weather is not flatware by the guarantee. The material travels at the risks of the user; in case of delivery by carrier, the consignee has to have reservations towards the carrier before any delivery of the device.

The guarantee comes to an end in case of intervention, of repair, of modification by no qualified persons, or of use in inappropriate purposes.



Câblage : **C02243**

ELR 2

Schéma électrique

DT50

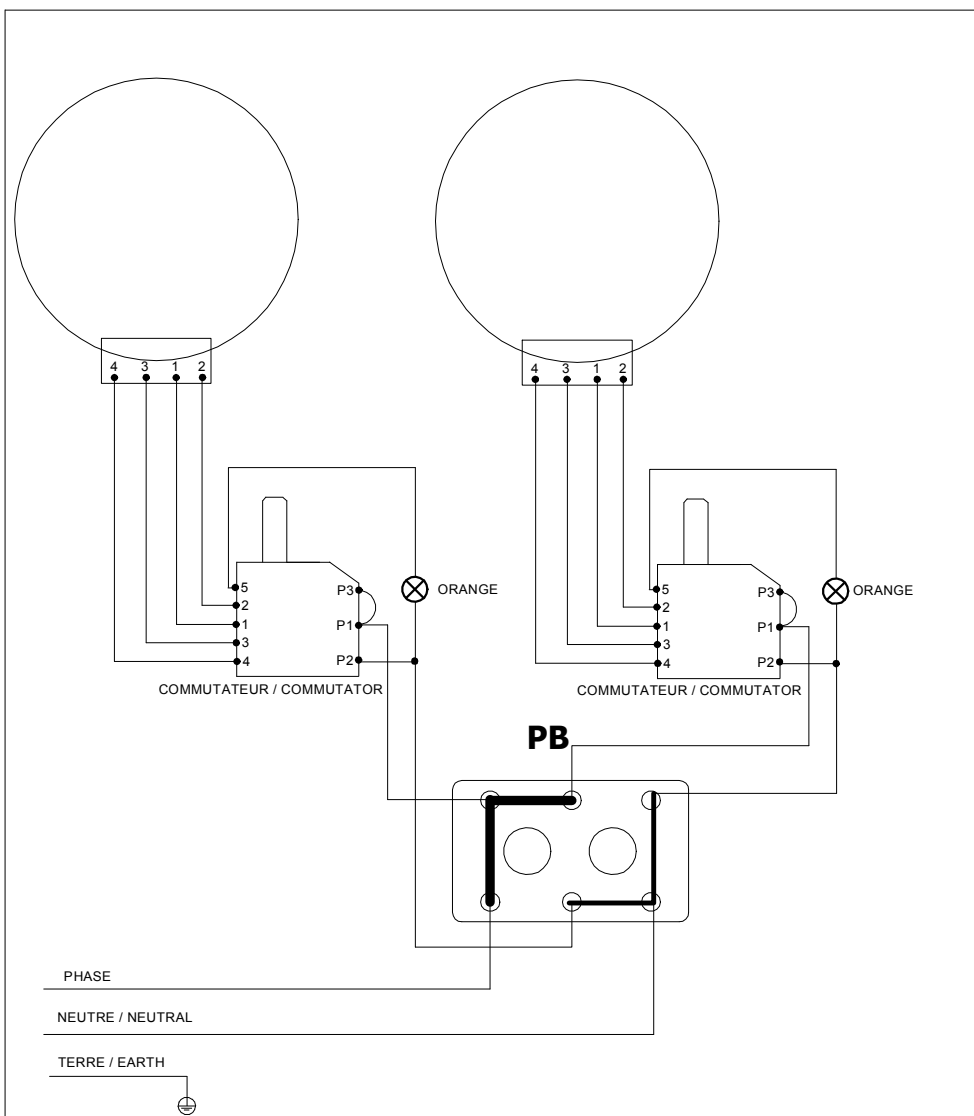
Date :
17/02/2017

Dessiné par :
C.Gu

Approuvé par :
S.Grenon

Date :
17/02/2017

Indice
A

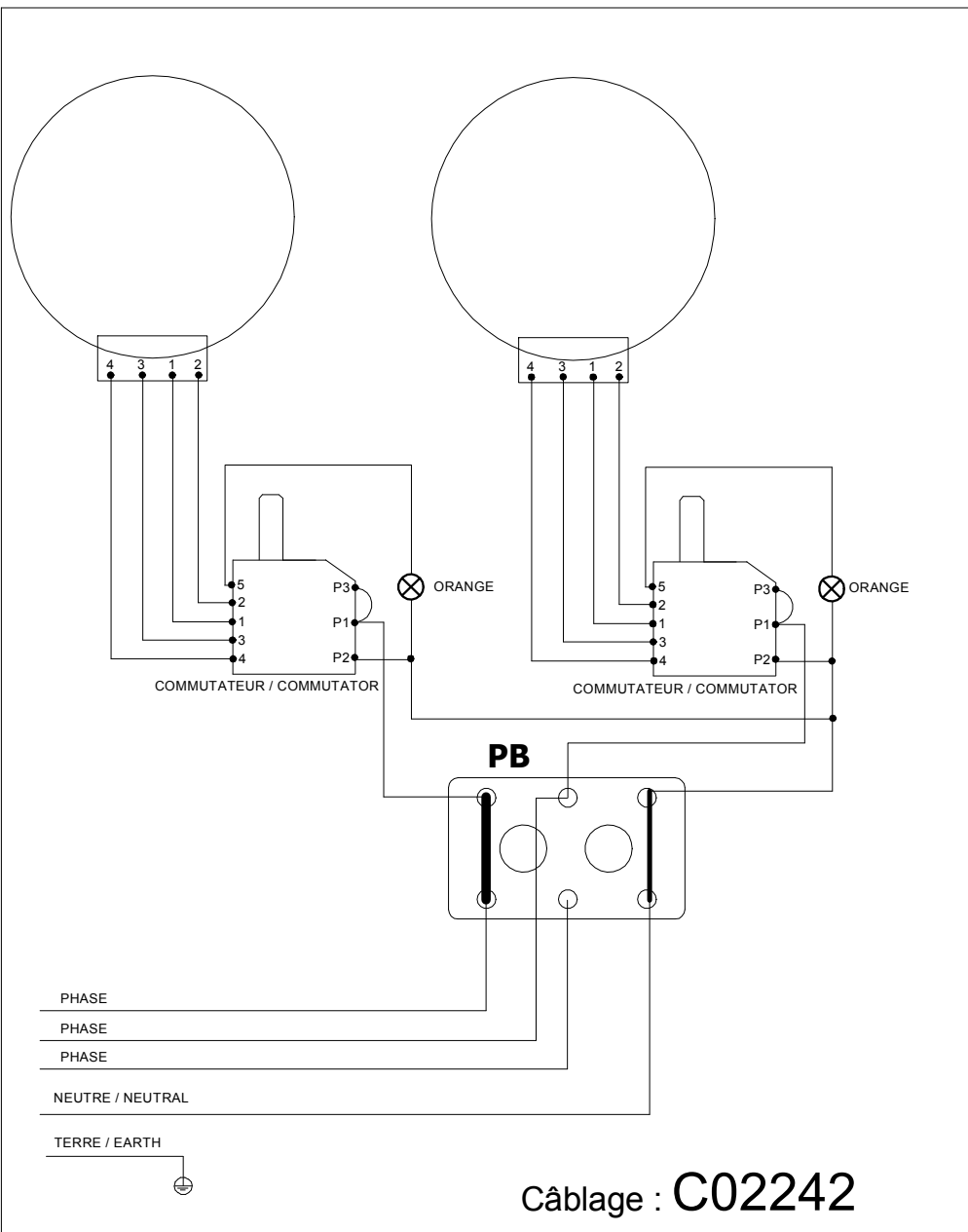


Câblage : C02242

ELR 3

Schéma électrique

DT51	Date : 17/02/2017	Dessiné par : C.Gu	Approuvé par : S.Grenon	Date : 17/02/2017	Indice A



ELR 4			Schéma électrique		
DT125	Date : 17/02/2017	Dessiné par : C.Gu	Approuvé par : S.Grenon	Date : 17/02/2017	Indice A

CODE	QTE	PIECE	SPARE PART
54030	1	CAISSON RECHAUD ELECTRIQUE 1 PLAQUE	ONE PLATE ELECTRIC STOVE CASING
54031	1	FOND RECHAUD ELECTRIQUE SIMPLE	ONE PLATE ELECTRIC STOVE BOTTOM CASING
62034	1	SUPPORT PLAQUE A BORNE	TERMINAL PLATE HOLDER
A01018	1	COMMUTATEUR RECHAUD ELECTRIQUE	COMMUTATOR ELECTRIC STOVE
A08003	1	VOYANT ORANGE DIAM 12	ORANGE PILOT LIGHT DIAM 12
A10032	1	PRESSE ETOUPE	CORD CLOSER
A13003	4	PIED CAOUTCHOUC	RUBBER FOOT
A14078	1	BOUTON 12 H ELECT	KNOB 12 H FOR ELECTRIC
A16012	1	BORNIER 2 PLOTS	2 HOLES DOMINO
C03P04044	1	CORDON	CORD
D03016	1	PLAQUE ELECTRIQUE 2000 W	ELECTRIC PLATE 2000 W
D03018	1	BOITIER PLAQUE ELECTRIQUE 2000 W	ELECTRIC PLATE BOX 2000 W
G06P04044	1	CADRAN	FRONT PANEL
H02054	1	ISOLANT RECHAUD ELECTRIQUE 2000 W	INSULATION ELECTRIC STOVE 2000 W

ELR 2

Nomenclature

DT50

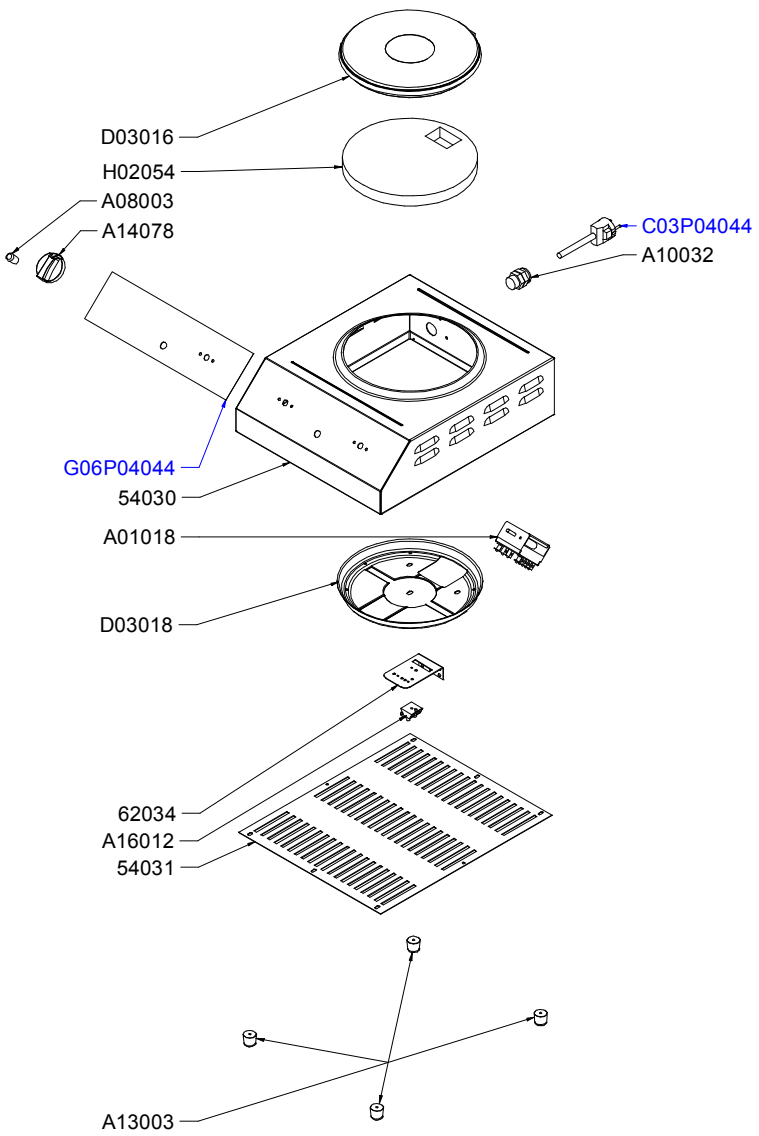
Date :
17/02/2017

Dessiné par :
C.Gu

Approuvé par :
J.Godéré

Date :
17/02/2017

Indice
A



ELR 2

Vue éclatée

DT50

Date :
17/02/2017

Dessiné par :
C.Gu

Approuvé par :
S.Grenon

Date :
17/02/2017

Indice
A

CODE	QTE	PIECE	SPARE PART
54033	1	FOND RECHAUD ELECTRIQUE 2 PLAQUES	TWO PLATES ELECTRIC STOVE BOTTOM CASING
54034	1	CAISSON RECHAUD ELECT 2 PLAQUES 1500 W	TWO PLATES ELECTRIC STOVE CASING 1500 W
62034	1	SUPPORT PLAQUE A BORNE	TERMINAL PLATE HOLDER
A01018	2	COMMUTATEUR RECHAUD ELECTRIQUE	COMMUTATOR ELECTRIC STOVE
A08003	2	VOYANT ORANGE DIAM 12	ORANGE PILOT LIGHT DIAM 12
A10032	1	PRESSE ETOUPE	CORD CLOSER
A12014	1	BOUCHON SR 1765 RF16	HOLDUP SR 1765 RF16
A13003	4	PIED CAOUTCHOUC	RUBBER FOOT
A14078	2	BOUTON 12 H ELECT	KNOB 12 H FOR ELECTRIC
A16010	1	PLAQUE A BORNE	TERMINAL PLATE
C03P04045	1	CORDON	CORD
D03015	2	PLAQUE ELECTRIQUE 1500 W	ELECTRIC PLATE 1500 W
D03017	2	BOITIER PLAQUE ELECTRIQUE 1500 W	ELECTRIC PLATE BOX 1500 W
G06P04045	1	CADRAN	FRONT PANEL
H02053	2	ISOLANT RECHAUD ELECTRIQUE 1500 W	INSULATION ELECTRIC STOVE 1500 W

ELR 3

Nomenclature

DT51

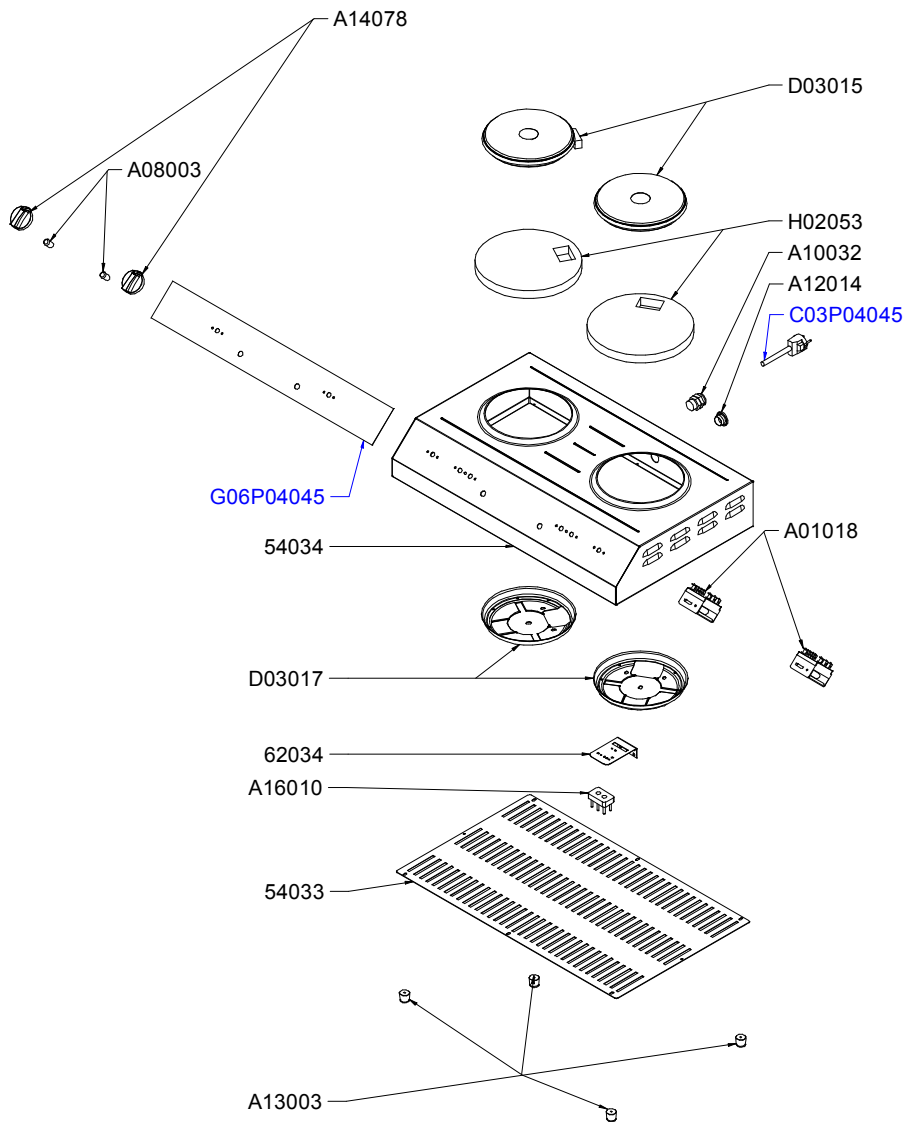
Date :
17/02/2017

Dessiné par :
C.Gu

Approuvé par :
J.Godéré

Date :
17/02/2017

Indice
A



ELR 3

Vue éclatée

DT51

Date :
17/02/2017

Dessiné par :
C.Gu

Approuvé par :
S.Grenon

Date :
17/02/2017

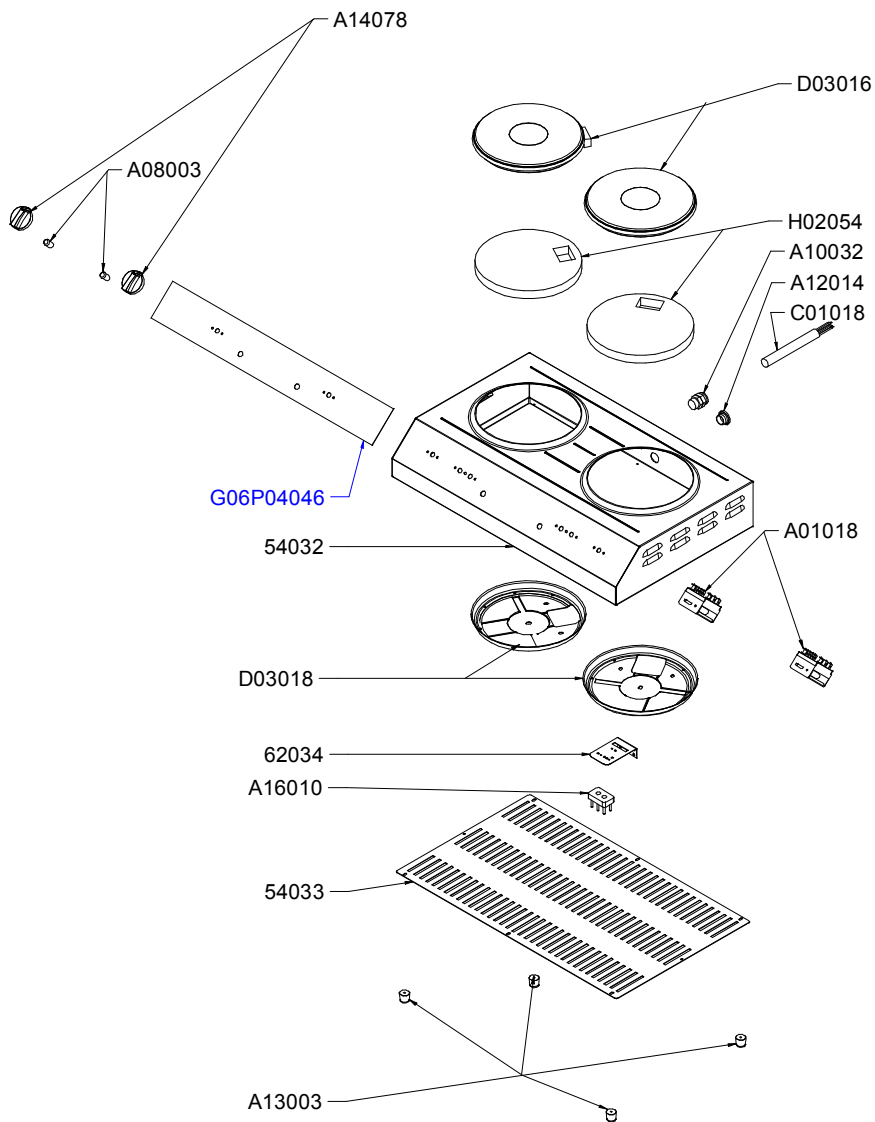
Indice
A

CODE	QTE	PIECE	SPARE PART
54032	1	CAISSON RECHAUD ELECTRIQUE 2 PLAQUES 2000 W	TWO PLATES ELECTRIC STOVE CASING 2000 W
54033	1	FOND RECHAUD ELECTRIQUE 2 PLAQUES	TWO PLATES ELECTRIC STOVE BOTTOM CASING
62034	1	SUPPORT PLAQUE A BORNE	TERMINAL PLATE HOLDER
A01018	2	COMMUTEUR RECHAUD ELECTRIQUE	COMMUTATOR ELECTRIC STOVE
A08003	2	VOYANT ORANGE DIAM 12	ORANGE PILOT LIGHT DIAM 12
A10032	1	PRESSE ETOUPE	CORD CLOSER
A12014	1	BOUCHON SR 1765 RF16	HOLDUP SR 1765 RF16
A13003	4	PIED CAOUTCHOUC	RUBBER FOOT
A14078	2	BOUTON 12 H ELECT	KNOB 12 H FOR ELECTRIC
A16010	1	PLAQUE A BORNE	TERMINAL PLATE
C01018	1	CABLE H07 RNF 5x1,5	CORD H07 RNF 5x1,5
D03016	2	PLAQUE ELECTRIQUE 2000 W	ELECTRIC PLATE 2000 W
D03018	2	BOITIER PLAQUE ELECTRIQUE 2000 W	ELECTRIC PLATE BOX 2000 W
G06P04046	1	CADRAN	FRONT PANEL
H02054	2	ISOLANT RECHAUD ELECTRIQUE 2000 W	INSULATION ELECTRIC STOVE 2000 W

ELR 4

Nomenclature

DT125	Date :	Dessiné par :	Approuvé par :	Date :	Indice
	17/02/2017	C.Gu	J.Godéré	17/02/2017	



ELR 4

Vue éclatée

DT125

Date :
17/02/2017

Dessiné par :
C.Gu

Approuvé par :
S.Grenon

Date :
17/02/2017

Indice
A