



MOD : E65/PLCD7T-N

Production code : F65/70FTE/CL/T

Jet engine compressor drawings

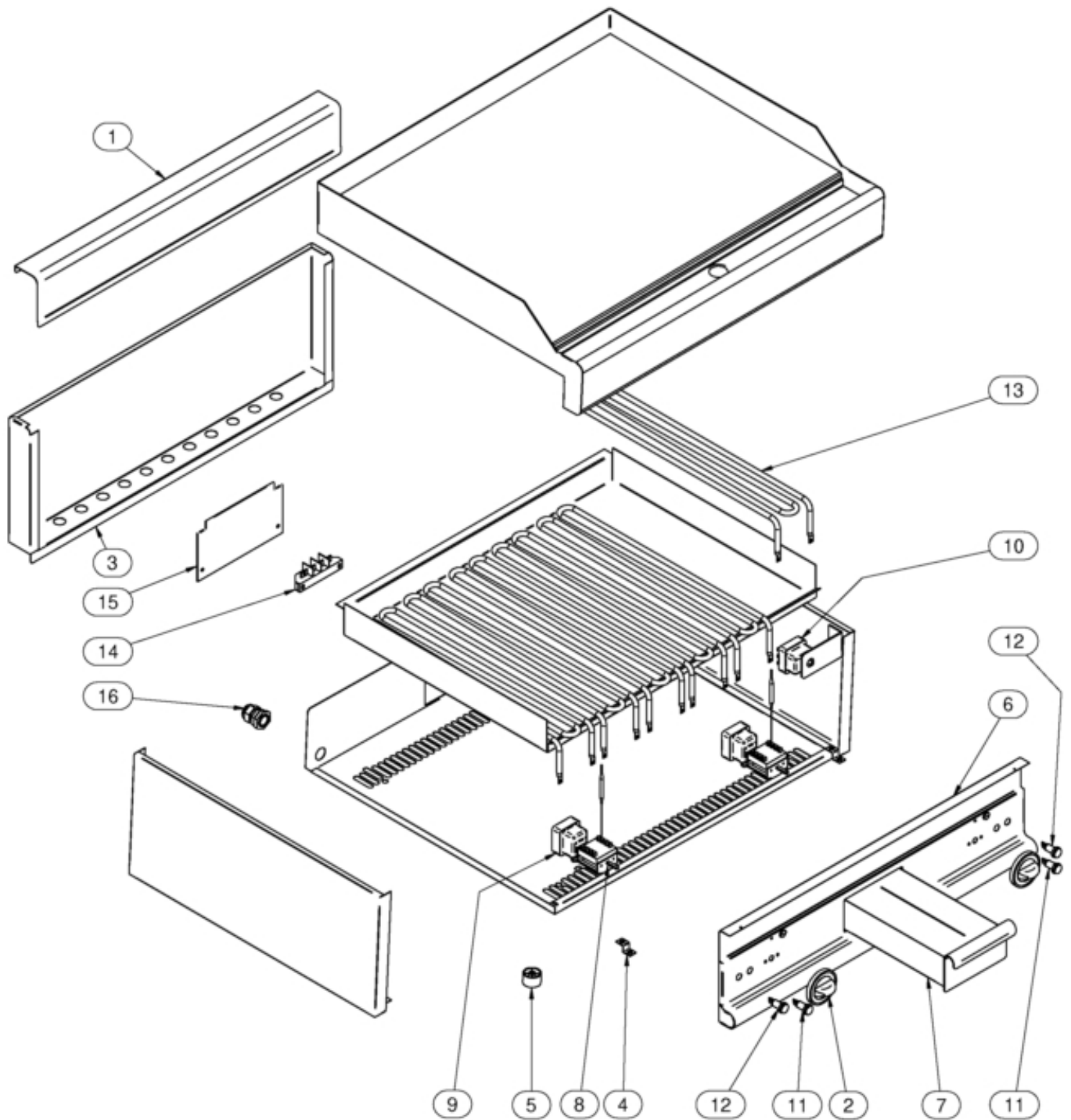
Creative
MARKET

04/2024

Modello/Type: 65/70 FT...E... - 65/100 FT...E...

cod./num. 2531535.00

data/date: 02/08/2013



| Pos. | Réf. | Description | De | À |
|------|------------|------------------------------------|------------|------------|
| 0001 | 611.129.00 | SPLASH-BACK FT 70 | | |
| 0002 | 612.081.00 | CONTROL KNOB D.62 EL. 50-180 GREY | | |
| 0003 | 621.028.00 | REAR PANEL 70 | | |
| 0004 | 256.002.00 | KIT STAFFA FISS.CRUSCOTTO + VITI | | |
| 0005 | 651.001.13 | FOOT DIAM.30 X 20H NEW | 01/01/1999 | 31/05/2013 |
| 0005 | 651.001.13 | FOOT DIAM.30 X 20H NEW | 01/06/2013 | |
| 0006 | 256.181.00 | KIT CRUSCOTTO 65/70 FTE + INDICI | | |
| 0007 | 611.007.00 | FT DRAWER | | |
| 0008 | 661.000.00 | COMMUTATEUR 15 A 49.41015.300 | | |
| 0009 | 661.007.00 | THERMOSTAT 3F | | |
| 0010 | 661.045.00 | SAFETY THERMOSTAT WITH SHEATH 350° | | |
| 0011 | 663.043.00 | GREEN PILOT LIGHT | | |
| 0012 | 663.044.00 | ORANGE PILOT LIGHT | | |
| 0013 | 665.002.00 | HEAT.ELEM. FT 1800W-240V | | |
| 0014 | 663.018.00 | 4-POLE TERMINAL BOARD PA 44 A | | |
| 0015 | 623.006.00 | COVER FOR TERMINAL BOARD | | |
| 0016 | 256.114.00 | KIT PRESSACAVO PG16 + GHIERA | | |