



# **MOD : E65/PLCD10T-N**

**Production code : F65/100FTE/CL/T**

Jet engine compressor drawings

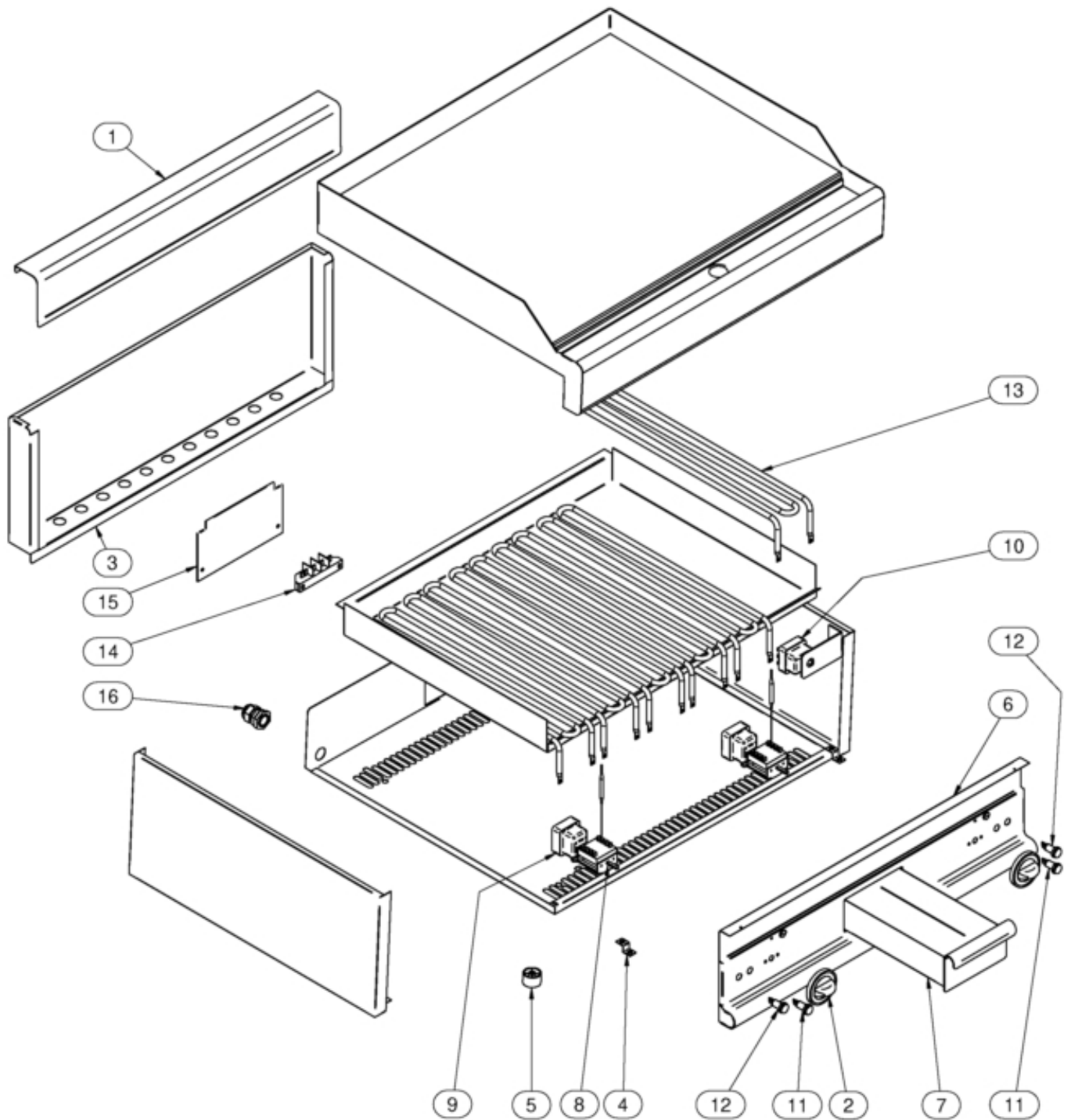
Creative  
MARKET

**04/2024**

Modello/Type:   65/70 FT...E...   -   65/100 FT...E...  

cod./num. 2531535.00

data/date: 02/08/2013



Pos.	Réf.	Description	De	À
0001	611.129.00	SPLASH-BACK FT 70		
0002	612.081.00	CONTROL KNOB D.62 EL. 50-180 GREY		
0003	621.028.00	REAR PANEL 70		
0004	256.002.00	KIT STAFFA FISS.CRUSCOTTO + VITI		
0005	651.001.13	FOOT DIAM.30 X 20H NEW	01/01/1999	31/05/2013
0005	651.001.13	FOOT DIAM.30 X 20H NEW	01/06/2013	
0006	256.181.00	KIT CRUSCOTTO 65/70 FTE + INDICI		
0007	611.007.00	FT DRAWER		
0008	661.000.00	COMMUTATEUR 15 A 49.41015.300		
0009	661.007.00	THERMOSTAT 3F		
0010	661.045.00	SAFETY THERMOSTAT WITH SHEATH 350°		
0011	663.043.00	GREEN PILOT LIGHT		
0012	663.044.00	ORANGE PILOT LIGHT		
0013	665.002.00	HEAT.ELEM. FT 1800W-240V		
0014	663.018.00	4-POLE TERMINAL BOARD PA 44 A		
0015	623.006.00	COVER FOR TERMINAL BOARD		
0016	256.114.00	KIT PRESSACAVO PG16 + GHIERA		