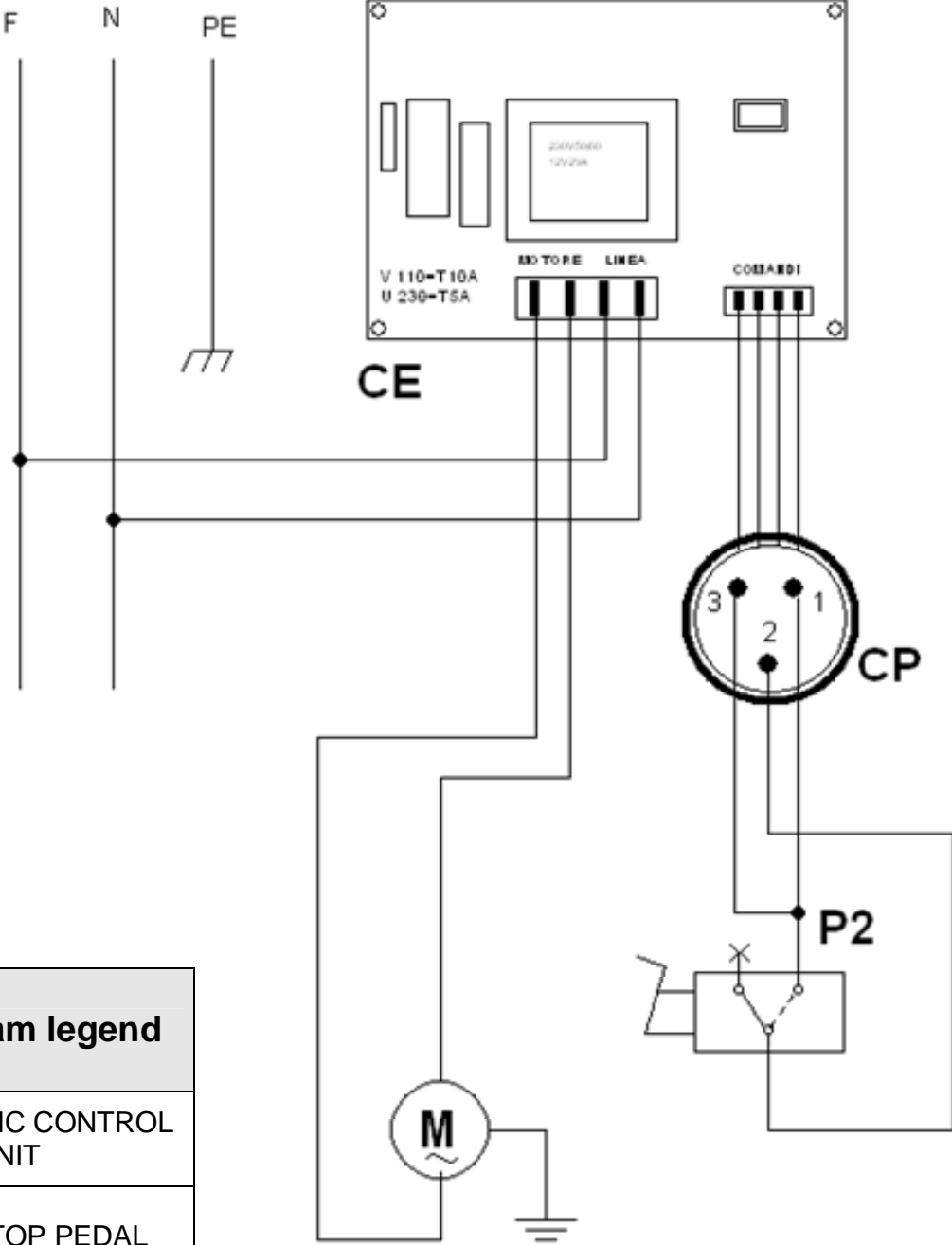


03/2013

Mod: P42/X

Production code: P05R024025

WIRING DIAGRAM



Wiring diagram legend	
CE	ELECTRONIC CONTROL UNIT
P2	START/STOP PEDAL
CP	PEDAL CONNECTION
M	MOTOR