

03/2013

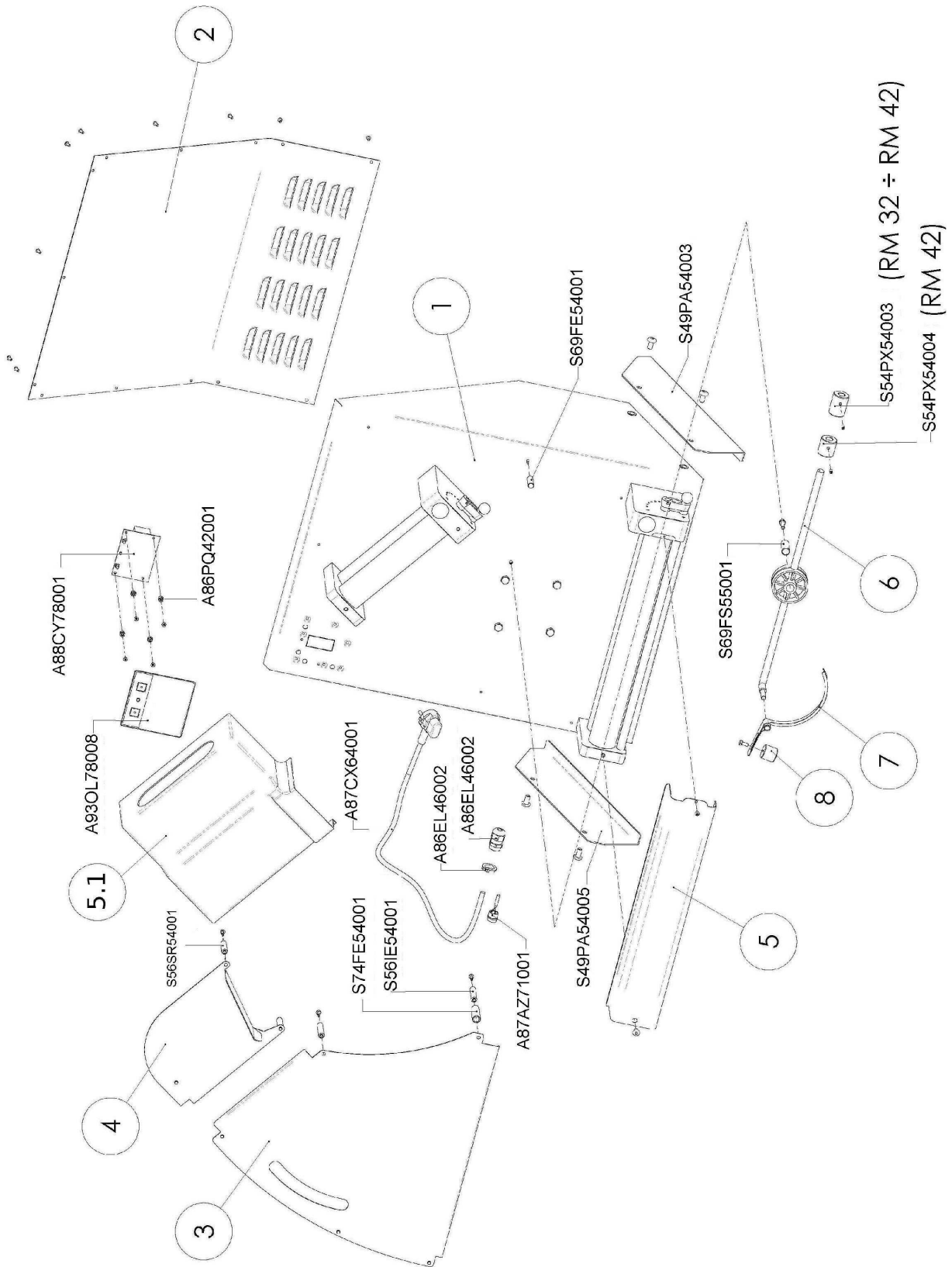
# Mod:P42/X

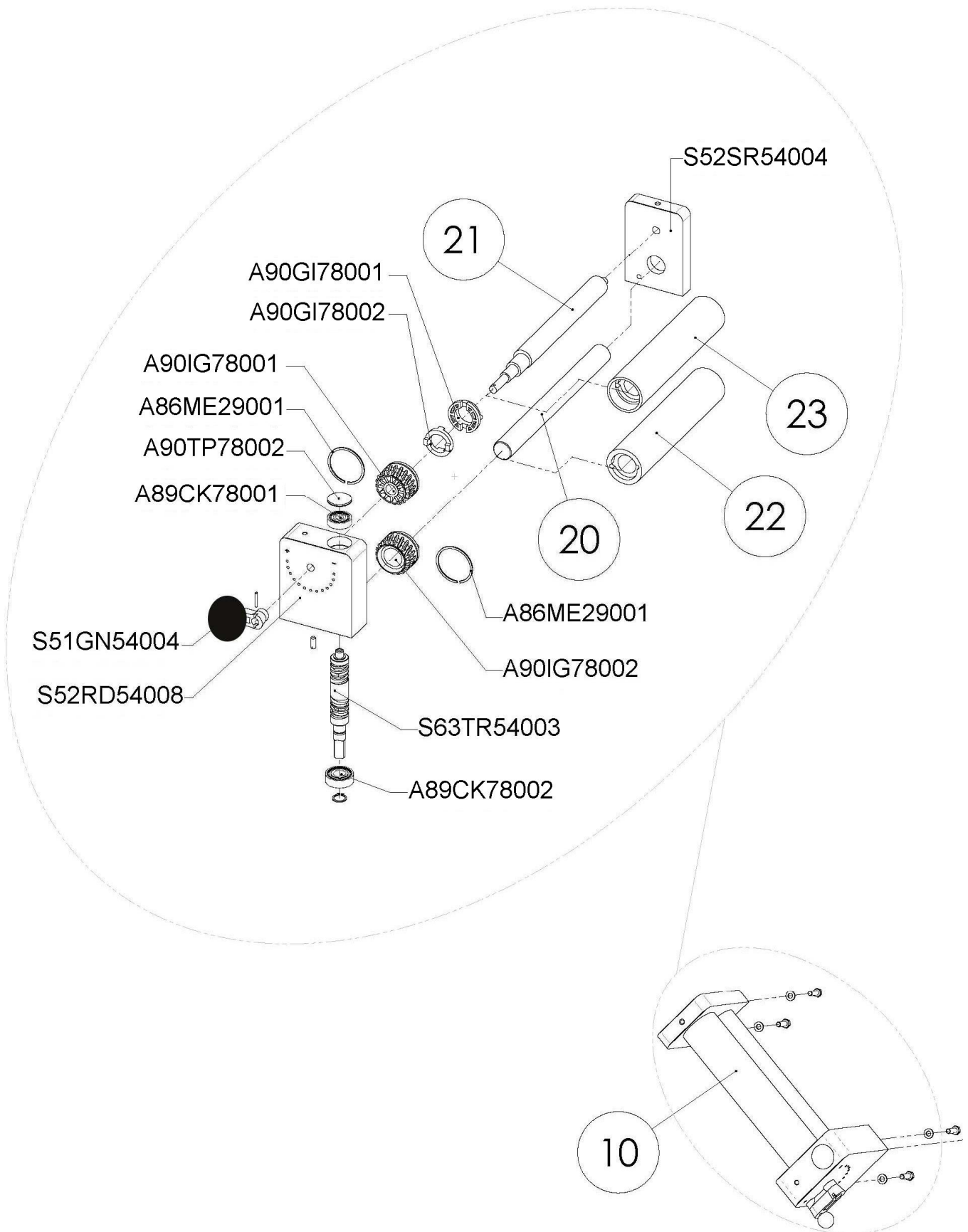
Production code: P05R0024025

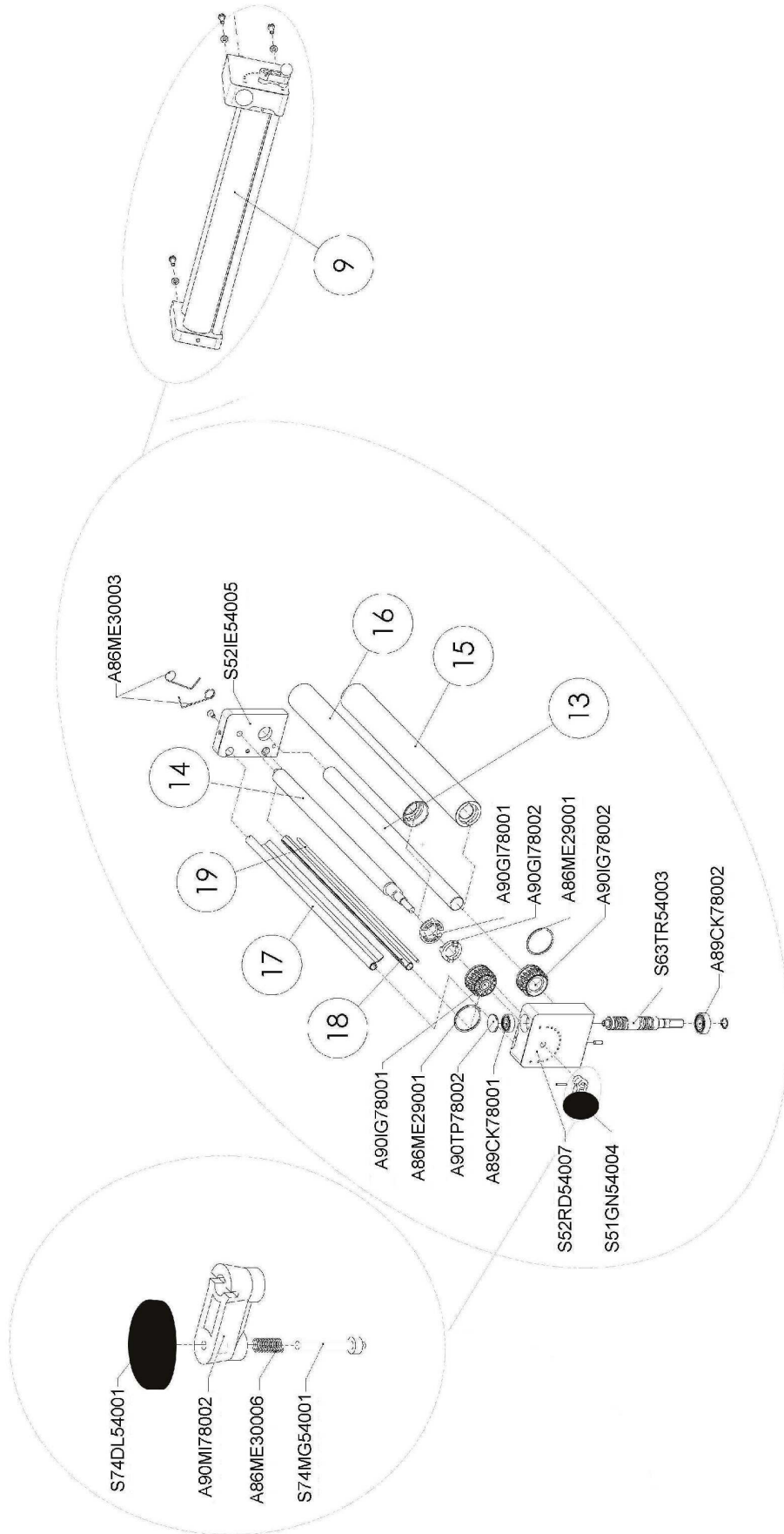


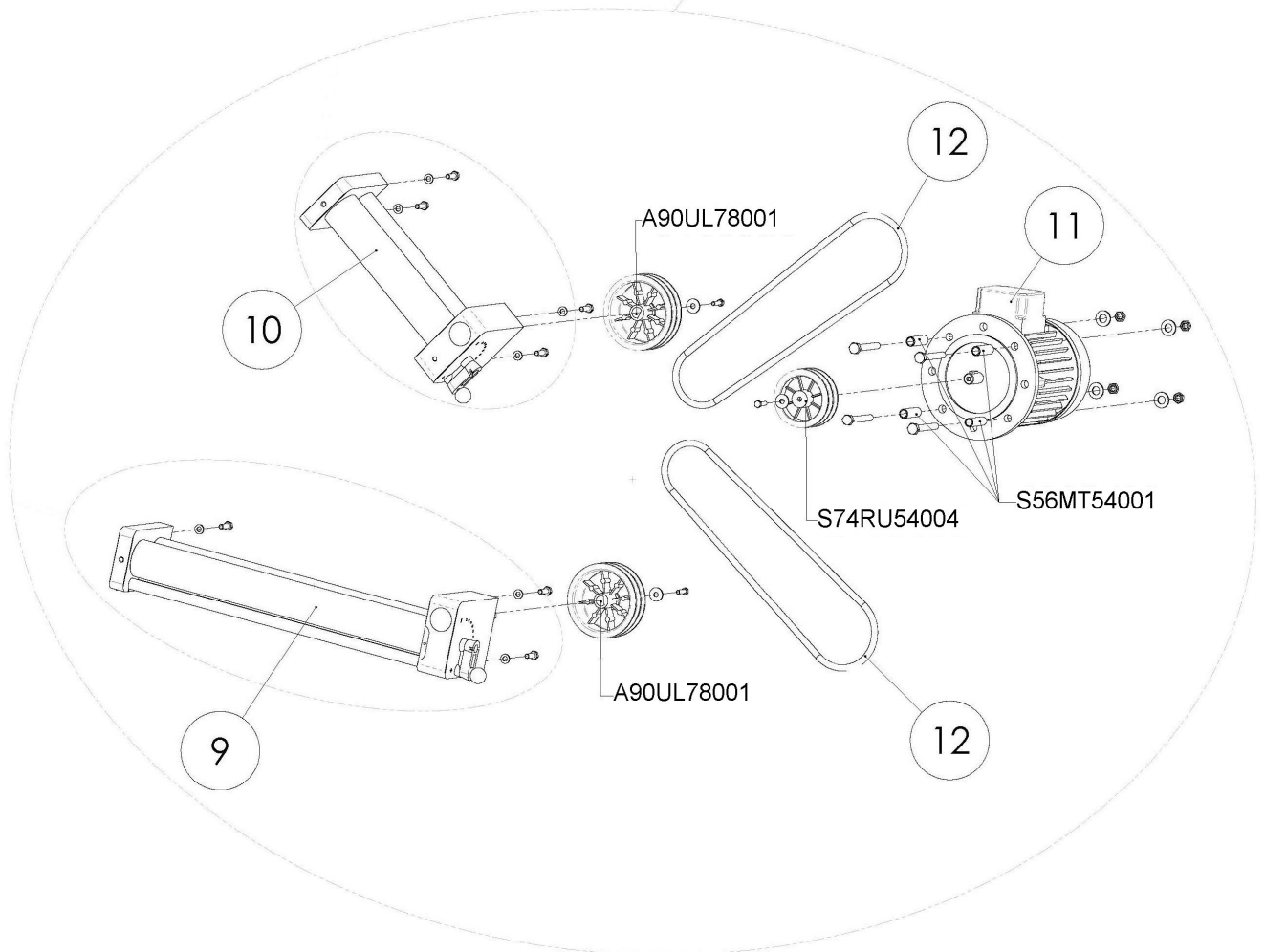
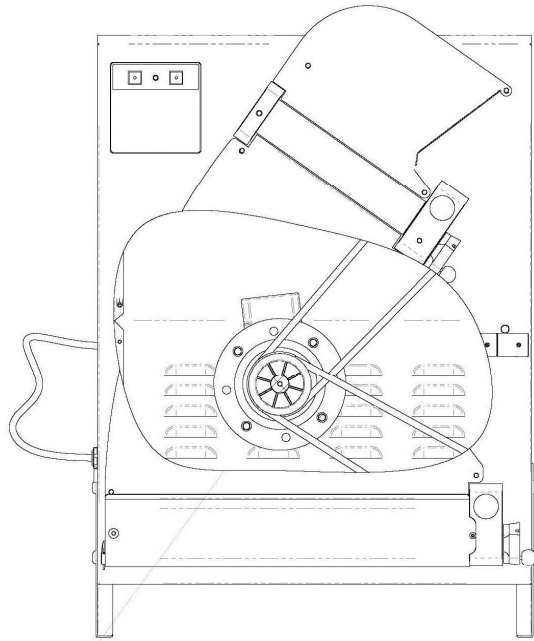
**Diamond**  
catering equipment

## 9 EXPLODED SPARE PARTS VIEW









**SPARES LIST RM42A (P42/X) 2012**

<b>Pos.</b>	<b>Code</b>	<b>Description</b>	<b>Q.ty</b>
<b>1</b>	S39SC54027	Involucro Roll Mach RM 42 A Release 2012	1
<b>2</b>	S32DL54003	Coperchio Roll Mach RM 42 A Release 2012	1
<b>3</b>	S47IE54007	Scivolo inferiore Roll Mach RM 42 A Release 2011	1
<b>4</b>	S47SR54003	Scivolo superiore Roll Mach RM 42 A	1
<b>5</b>	S61IE54026	Protezione inferiore raggiata Diamond RM 42 A	1
<b>5.1</b>	A90SU78010	Protezione superiore RM 42 A Release 2012	1
<b>6</b>	A90BI54002	Gruppo bilancia P40-P40A	1
<b>7</b>	A98DL54002	Bilancino Roll Mach RM 42	1
<b>8</b>	S79BL54001	Contropeso bilancino RM 42 Release 2011	1
<b>9</b>	S51RL54019	Gruppo rulli inferiore Roll Mach RM 42 A Release 2012	1
<b>10</b>	S51RL54020	Gruppo rulli superiore Roll Mach RM 42 A Release 2012	1
<b>11</b>	A87MR55003	Motore S71B4 0,37 kW 230V 50 Hz B5	1
<b>12</b>	A90KI78001	Cinghia Ø 8x784 Roll Mach	2
<b>13</b>	S63CD54002	Albero inferiore cilindrico P40-P40A-P40T-P40TA-RM42A	1
<b>14</b>	S63EC54004	Albero inferiore eccentrico P40-P40A-P40T-P40TA-RM42A	1
<b>15</b>	S75CD54008	Rullo inferiore cilindrico P40-P40A-P40T-P40TA-RM42A	1
<b>16</b>	S75EC54007	Rullo inferiore eccentrico P40-P40A-P40T-P40TA-RM42A	1
<b>17</b>	S43RA54005	Raschiapasta anteriore P40-P40A-P40T-P40TA-RM42A	1
<b>18</b>	S43RA54005	Raschiapasta posteriore P40-P40A-P40T-P40TA-RM42A	1
<b>19</b>	S61RL54003	Asta Inox Ø5x438 mm	1
<b>20</b>	S63CD54005	Albero superiore cilindrico P40-P40A-P40T-P40TA-RM42A	1
<b>21</b>	S63EC54002	Albero superiore eccentrico P40-P40A-P40T-P40TA-RM42A	1
<b>22</b>	S75CD54004	Rullo superiore cilindrico P40-P40A-P40T-P40TA-RM42A	1
<b>23</b>	S75EC54004	Rullo superiore eccentrico P40-P40A-P40T-P40TA-RM42A	1