

03/2013

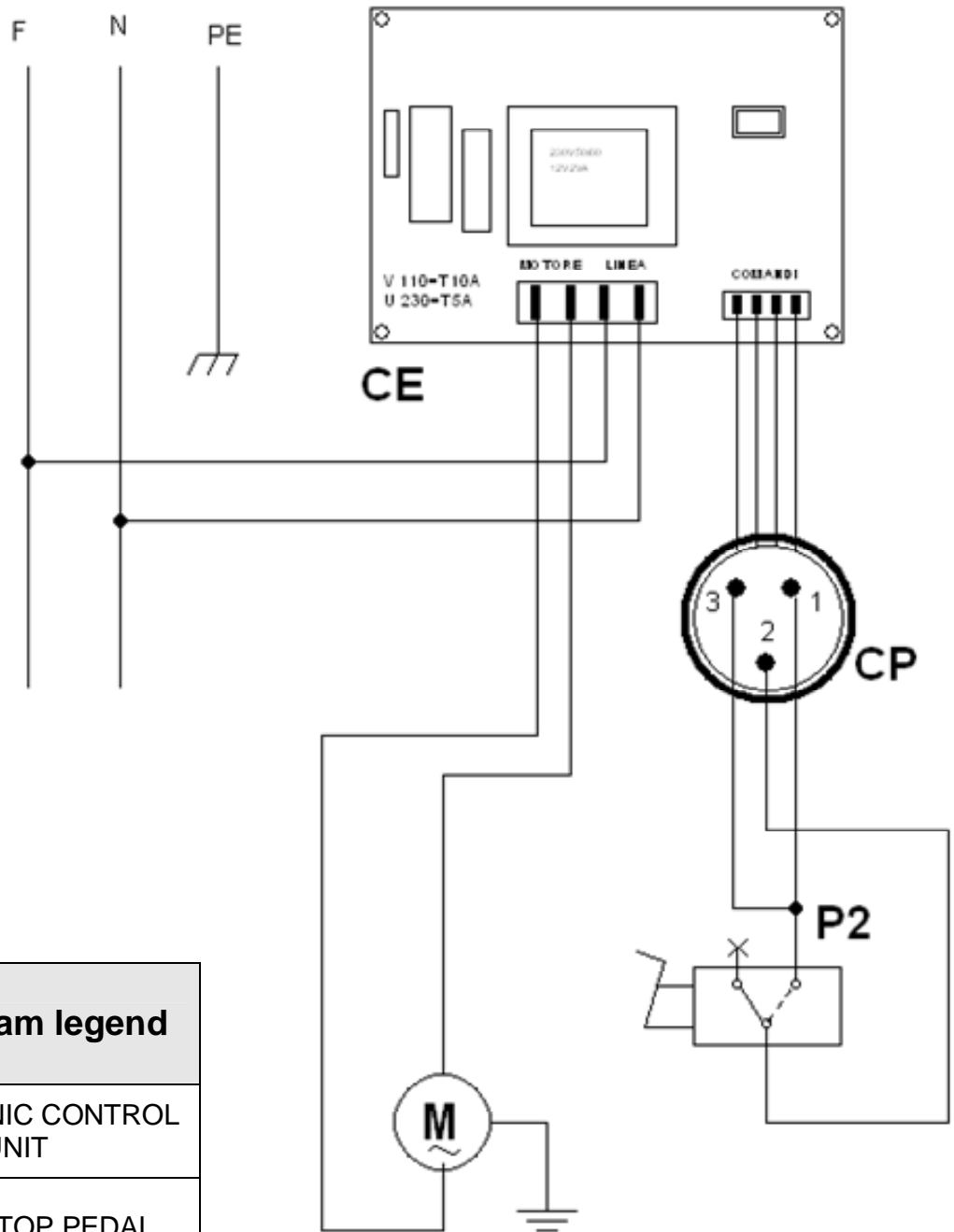
# Mod:P32/X

Production code: P05R024024



**Diamond**  
catering equipment

# 11 WIRING DIAGRAM



Wiring diagram legend	
CE	ELECTRONIC CONTROL UNIT
P2	START/STOP PEDAL
CP	PEDAL CONNECTION
M	MOTOR