

05/2016

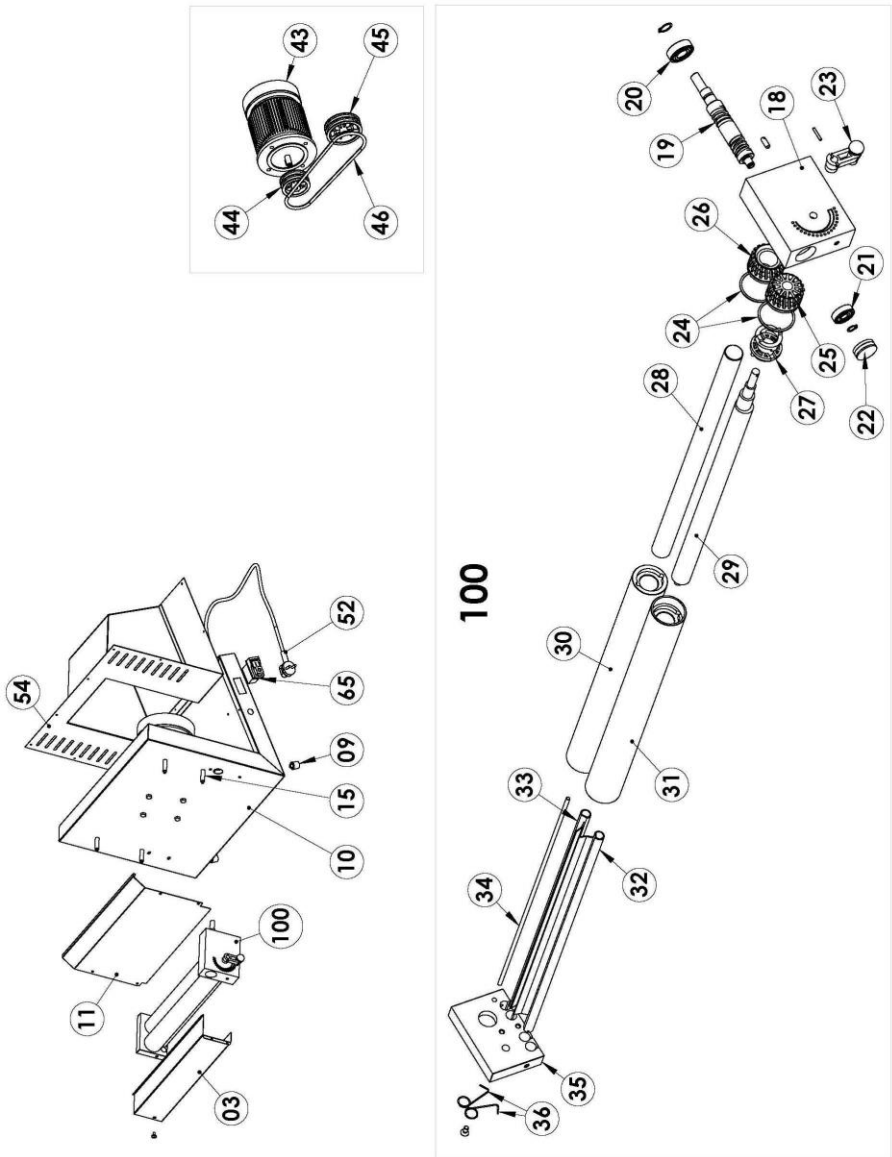
Mod: P32/X

Production code: P05R024024



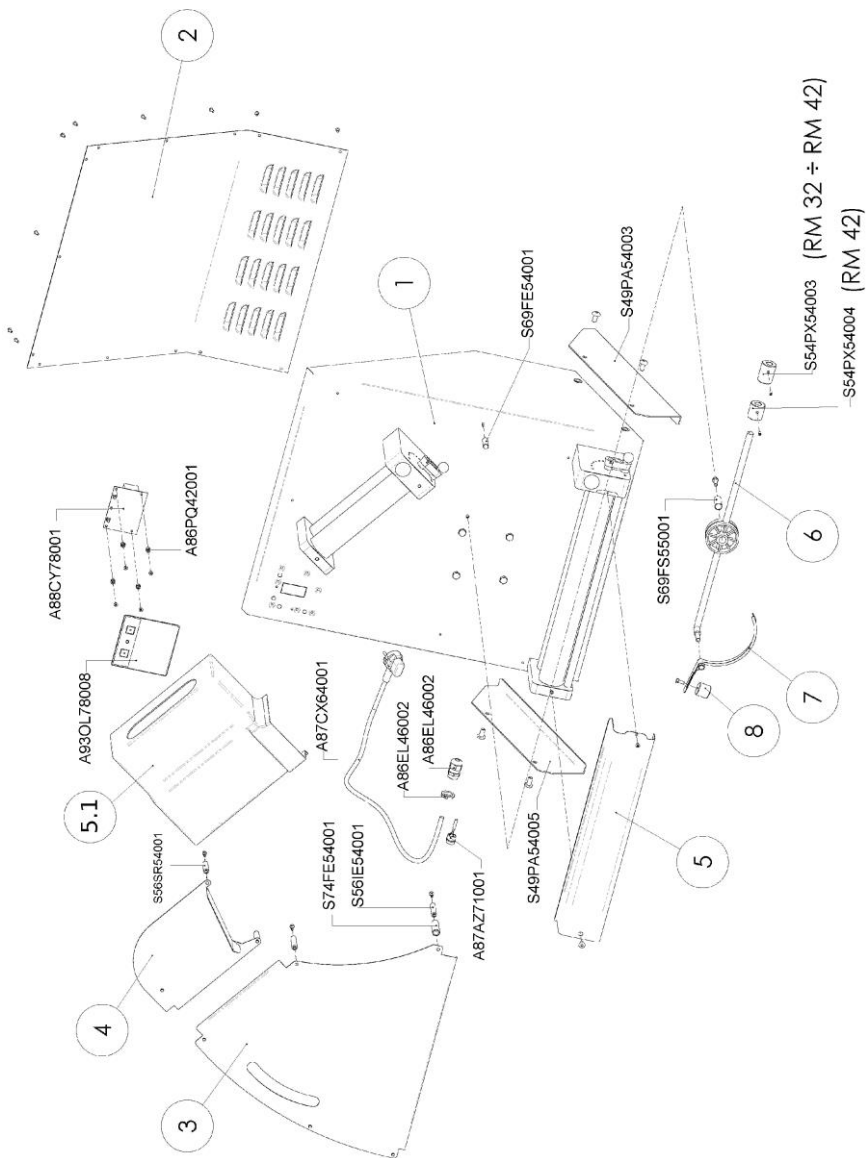
Diamond
catering equipment

EXPLODED DRAWING and LIST OF SPARE PARTS

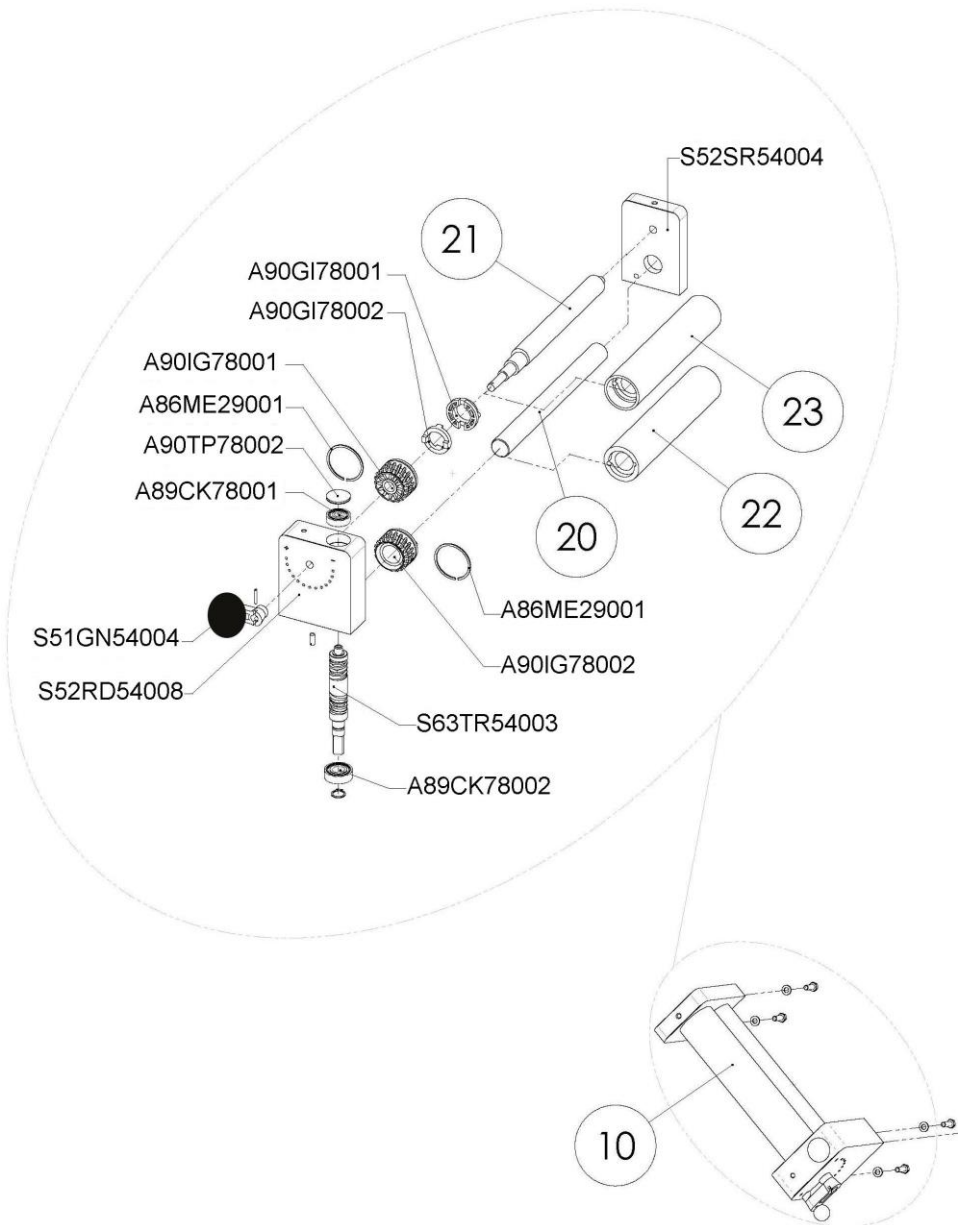


P42/XVM - M42A

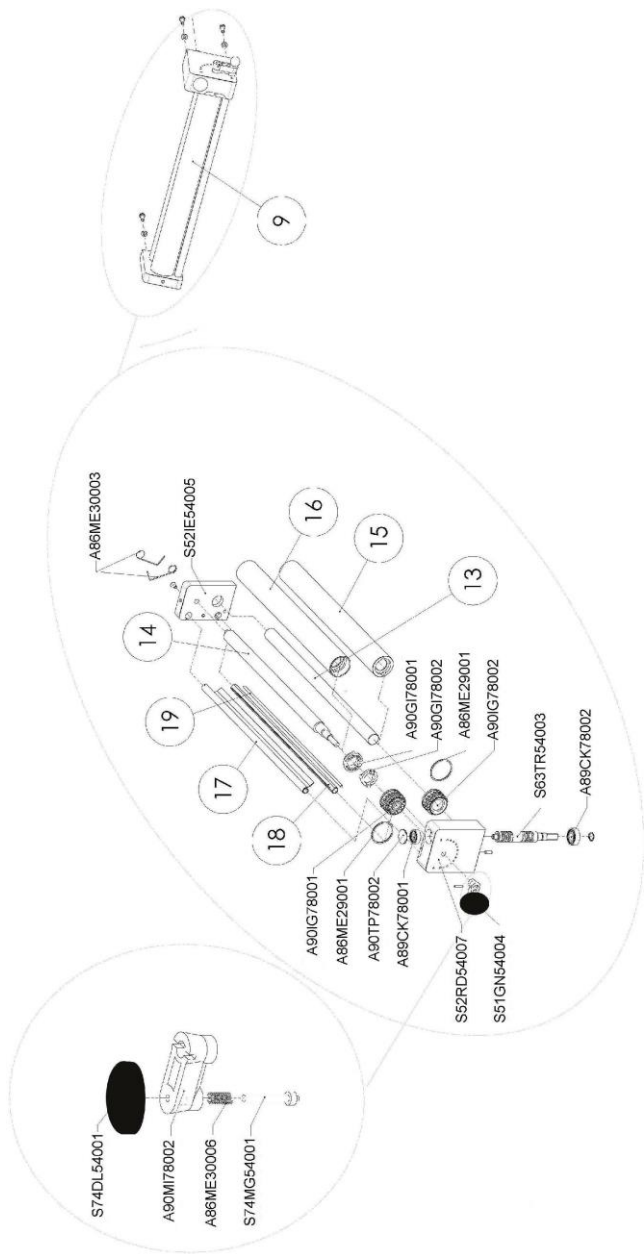
| Pos. | Code | Description |
|-------------|-------------|---|
| 3 | S61IE54026 | LOWER STEEL PROTECTION 42 "Diamond" |
| 9 | A90XP78001 | LITTLE FEET FSD 3170-031 |
| 10 | S39SC54023 | STEEL ENCLOSURE 42 |
| 11 | S47MO54001 | STEEL SLIDE |
| 15 | S56SR54001 | TOP SPACER Ø 10X37 |
| 18 | S52RD54007 | LOWER ROUNDED REDUCTION GEAR SUPPORT |
| 19 | S63TR54003 | HELICAL SCREW |
| 20 | A89CK78002 | BEARING 6202 ZZ |
| 21 | A89CK78001 | BEARING 6200 ZZ |
| 22 | A90TP78002 | GREY CAP RAL 7037 |
| 23 | S51GN54004 | PIZZA THICKNESS ADJUSTMENT |
| 24 | A86ME29001 | ELASTIC RING 48/2.2X1,45 |
| 25 | A90IG78001 | ECCENTRIC GEAR |
| 26 | A90IG78002 | CYLINDRICAL GEAR |
| 27 | S51GN54006 | JOINTS COUPLE MALE/FEMALE |
| 28 | S63CD54002 | LOWER CYLINDRICAL SHAFT 42A-42TA |
| 29 | S63EC54004 | LOWER ECCENTRIC SHAFT 42A-42TA |
| 30 | S75CD54008 | LOWER CYLINDRICAL ROLLER 42-42TA |
| 31 | S75EC54007 | LOWER ECCENTRIC ROLLER 42-42TA |
| 32 | S43RA54005 | ALUMINIUM FRONT SCRAPER 42-42TA |
| 33 | S43RA54006 | ALUMINIUM BACK SCRAPER 42-42TA |
| 34 | S61RL54003 | STAINLESS STEEL ROD Ø 5X438 |
| 35 | S52IE54005 | SMALL ROUNDED LOWER SUPPORT |
| 36 | A86ME30003 | SCRAPER SPRING |
| 43 | A87MR55003 | SINGLE-PHASE MOTOR 220V-50HZ HP 0,5 4 POLES M71 B5 |
| 44 | A90UL78002 | PLASTIC MOTOR PULLEY |
| 45 | A90UL78001 | REDUCTOR PLASTIC PULLEY |
| 46 | A90KI78002 | BELT Ø 8X680 |
| 52 | A87CX64001 | CABLE H05VV-F 3X1,5 ART 232 LZ SG100 WHITE 90Ø |
| 54 | S66CQ54001 | MOTOR CASING ASSEMBLY 42 |
| 65 | A96ZN00083 | RED/GREEN START/STOP KLD28A BUTTON |
| 100 | S51RL54039 | COMPLETE SET OF LOWER ROLLERS 42A-42TA |



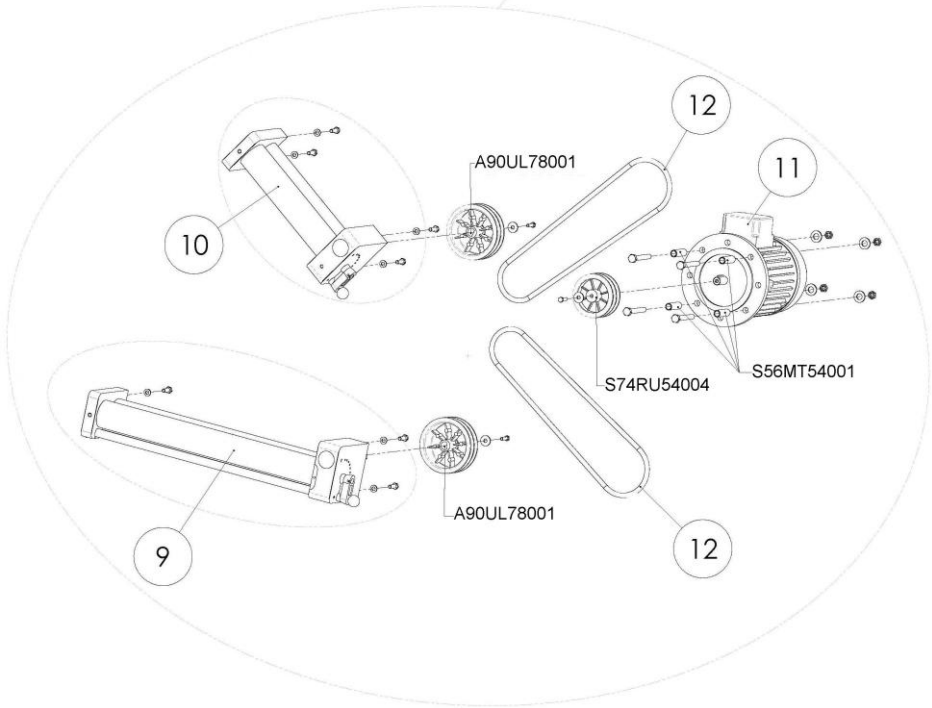
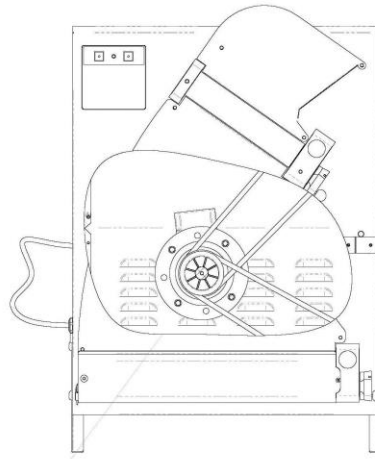
P32/X ÷ P42/X



P32/X ÷ P42/X



P32/X ÷ P42/X



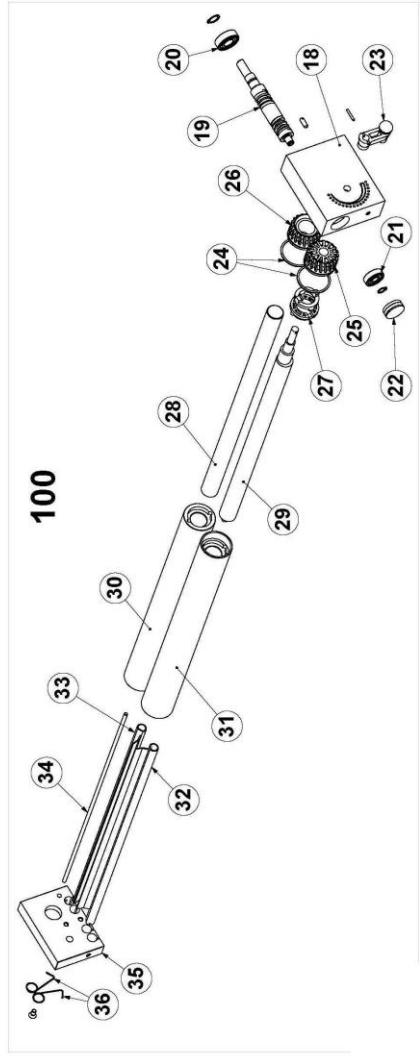
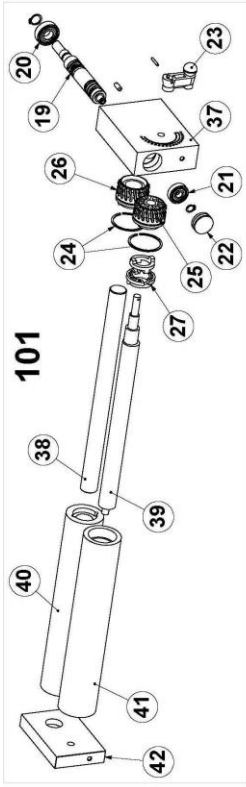
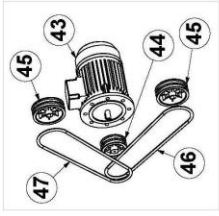
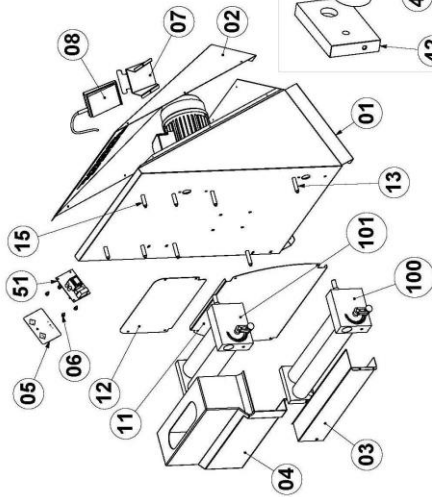
P32/X ÷ P42/X

P32/X

| Pos. | Code | Description |
|-------------|-------------|--------------------------------------|
| 1 | S39SC54025 | STEEL ENCLOSURE 32A |
| 2 | S32DL54001 | STEEL BACK COVER 32A |
| 3 | S47IE54006 | LOWER STEEL SLIDE 32A |
| 4 | S47SR54001 | UPPER STEEL SLIDE 32A |
| 5 | S61IE54024 | LOWER STEEL PROTECTION 32A "Diamond" |
| 5.1 | A90SU78001 | UPPER PLASTIC PROTECTION 32A |
| 6 | A90BI54001 | BALANCER GROUP 32 |
| 7 | A99BL54001 | LITTLE BALANCE 32 |
| 8 | S54PX54005 | LITTLE BALANCE COUNTERWEIGHT Ø 25x17 |
| 9 | S51RL54037 | COMPLETE SET OF LOWER ROLLERS 32A |
| 10 | S51RL54038 | COMPLETE SET OF UPPER ROLLERS 32A |
| 11 | A87MR55002 | MOTOR S71B4 0,25 KW 230V 50 HZ B5 |
| 12 | A90KI78004 | BELT Ø 8x560 |
| 13 | S63CD54006 | LOWER CYLINDRICAL SHAFT 32A |
| 14 | S63EC54006 | LOWER ECCENTRIC SHAFT 32A |
| 15 | S75CD54009 | LOWER CYLINDRICAL ROLLER 32A |
| 16 | S75EC54009 | LOWER ECCENTRIC ROLLER 32A |
| 17 | S43RA54001 | ALUMINIUM FRONT SCRAPER 32 |
| 18 | S43RA54002 | ALUMINIUM BACK SCRAPER 32 |
| 19 | S61RL54005 | ASTA INOX Ø5X438 MM |
| 20 | S63CD54001 | UPPER CYLINDRICAL SHAFT 32A |
| 21 | S63EC54001 | UPPER ECCENTRIC SHAFT 32A |
| 22 | S75CD54001 | UPPER CYLINDRICAL ROLLER 32A |
| 23 | S75EC54001 | UPPER ECCENTRIC ROLLER 32A |

P42/X

| Pos. | Code | Description |
|-------------|-------------|--------------------------------------|
| 1 | S39SC54027 | STEEL ENCLOSURE 42A |
| 2 | S32DL54003 | STEEL BACK COVER 42A |
| 3 | S47IE54007 | LOWER STEEL SLIDE 42A |
| 4 | S47SR54003 | UPPER STEEL SLIDE 42A |
| 5 | S61IE54026 | LOWER STEEL PROTECTION 42A "Diamond" |
| 5.1 | A90SU78010 | UPPER PLASTIC PROTECTION 42A |
| 6 | A90BI54002 | BALANCER GROUP 42 |
| 7 | A98DL54002 | LITTLE BALANCE 42 |
| 8 | S79BL54001 | LITTLE BALANCE COUNTERWEIGHT Ø 25x23 |
| 9 | S51RL54039 | COMPLETE SET OF LOWER ROLLERS 42A |
| 10 | S51RL54040 | COMPLETE SET OF UPPER ROLLERS 42A |
| 11 | A87MR55003 | MOTOR S71B4 0,37 KW 230V 50 HZ B5 |
| 12 | A90KI78001 | BELT Ø 8x784 |
| 13 | S63CD54002 | LOWER CYLINDRICAL SHAFT 42A |
| 14 | S63EC54004 | LOWER ECCENTRIC SHAFT 42A |
| 15 | S75CD54008 | LOWER CYLINDRICAL ROLLER 42A |
| 16 | S75EC54007 | LOWER ECCENTRIC ROLLER 42A |
| 17 | S43RA54005 | ALUMINIUM FRONT SCRAPER 42 |
| 18 | S43RA54005 | ALUMINIUM BACK SCRAPER 42 |
| 19 | S61RL54003 | ASTA INOX Ø5X438 MM |
| 20 | S63CD54005 | UPPER CYLINDRICAL SHAFT 42A |
| 21 | S63EC54002 | UPPER ECCENTRIC SHAFT 42A |
| 22 | S75CD54004 | UPPER CYLINDRICAL ROLLER 42A |
| 23 | S75EC54004 | UPPER ECCENTRIC ROLLER 42A |



P42/XV

| Pos. | Code | Description |
|-------------|-------------|--------------------------------------|
| 1 | S31DL54011 | BASE 42TA |
| 2 | S33PS54020 | BACK COVER 42TA |
| 3 | S61IE54026 | LOWER STEEL PROTECTION 42A "Diamond" |
| 4 | A90SU78009 | UPPER PLASTIC PROTECTION 42TA |
| 5 | A93OL78004 | BUTTON LABEL "Diamond" |
| 6 | A86PQ42001 | PLASTIC SPACER CF06H4080 18-06 |
| 7 | S74CQ54005 | FOOTPEDAL POCKET |
| 8 | S66CI54002 | FOOTPEDAL WITH CABLE 2X0,75 |
| 11 | S47IE54013 | LOWER STEEL SLIDE 42TA |
| 12 | S47SR54006 | UPPER STEEL SLIDE 42TA |
| 13 | S56IE54001 | LOWER SPACER Ø 10X46 |
| 15 | S56SR54001 | UPPER SPACER Ø 10X37 |
| 18 | S52RD54010 | LOWER REDUCTION GEAR SUPPORT |
| 19 | S63TR54003 | HELICAL SCREW |
| 20 | A89CK78002 | BEARING 6202 ZZ |
| 21 | A89CK78001 | BEARING 6200 ZZ |
| 22 | A90TP78002 | GREY CAP RAL 7037 |
| 23 | S51GN54004 | PIZZA THICKNESS ADJUSTMENT |
| 24 | A86ME29001 | ELASTIC RING 48/2.2X1,45 |
| 25 | A90IG78001 | ECCENTRIC GEAR |
| 26 | A90IG78002 | CYLINDRICAL GEAR |
| 27 | S51GN54006 | JOINTS COUPLE MALE/FEMALE |
| 28 | S63CD54002 | LOWER CYLINDRICAL SHAFT 42-42TA |
| 29 | S63EC54004 | LOWER ECCENTRIC SHAFT 42-42TA |
| 30 | S75CD54008 | LOWER CYLINDRICAL ROLLER 42-42TA |
| 31 | S75EC54007 | LOWER ECCENTRIC ROLLER 42-42TA |
| 32 | S43RA54005 | ALUMINIUM FRONT SCRAPER 42-42TA |
| 33 | S43RA54006 | ALUMINIUM BACK SCRAPER 42-42TA |
| 34 | S61RL54003 | STAINLESS STEEL ROD Ø 5X438 |
| 35 | S52IE54003 | SMALL LOWER SUPPORT |
| 36 | A86ME30003 | SCRAPER SPRING |
| 37 | S31RD54001 | UPPER REDUCTION GEAR SUPPORT |
| 38 | S63CD54003 | UPPER CYLINDRICAL SHAFT 42TA |
| 39 | S63EC54003 | UPPER ECCENTRIC SHAFT 42TA |

| | | |
|-----|------------|--|
| 40 | S75CD54004 | UPPER CYLINDRICAL ROLLER 42TA |
| 41 | S75EC54004 | UPPER ECCENTRIC ROLLER 42TA |
| 42 | S52SR54002 | SMALL UPPER SUPPORT |
| 43 | A87MR55003 | MOTOR S71B4 0,37 KW 230V 50 HZ B5 |
| 44 | A90UL78002 | PLASTIC MOTOR PULLEY |
| 45 | A90UL78001 | REDUCTOR PLASTIC PULLEY |
| 46 | A90KI78001 | BELT Ø 8x784 |
| 47 | A90KI78001 | BELT Ø 8x784 |
| 51 | A88CY78001 | CIRCUIT BOARD 12V |
| 100 | S51RL54043 | COMPLETE SET OF LOWER ROLLERS 42A-42TA |
| 101 | S51RL54040 | COMPLETE SET OF UPPER ROLLERS 42A-42TA |