

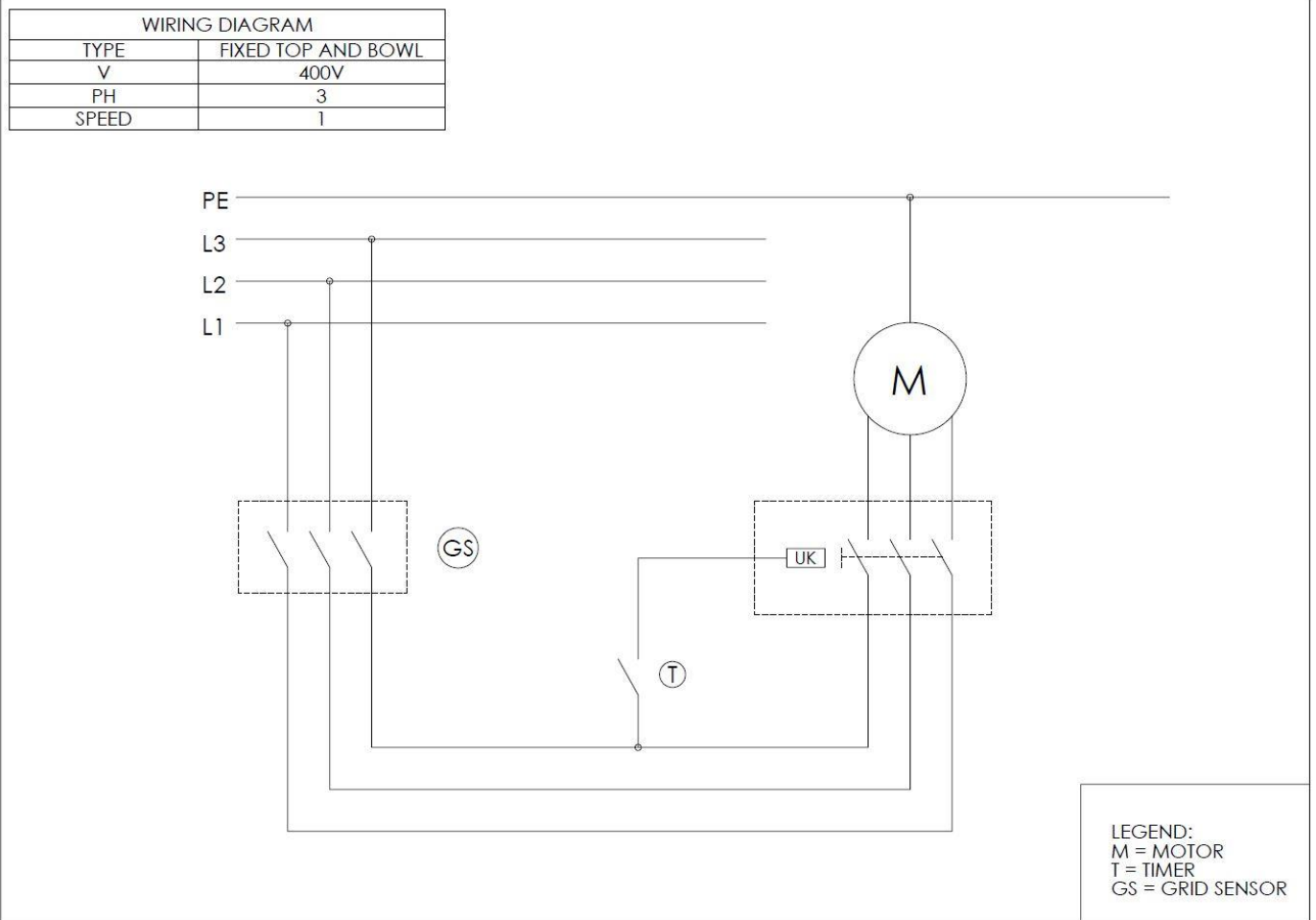
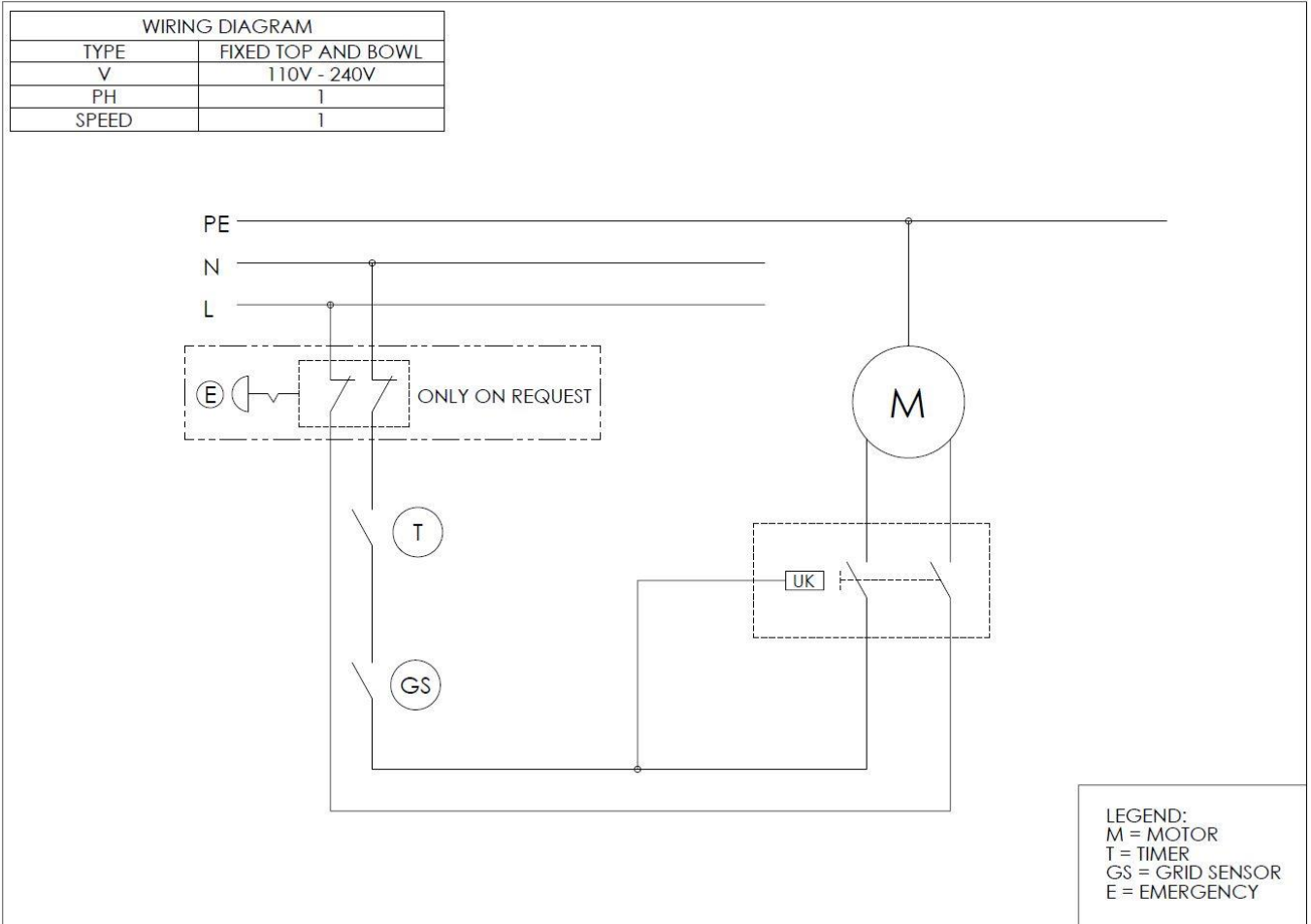


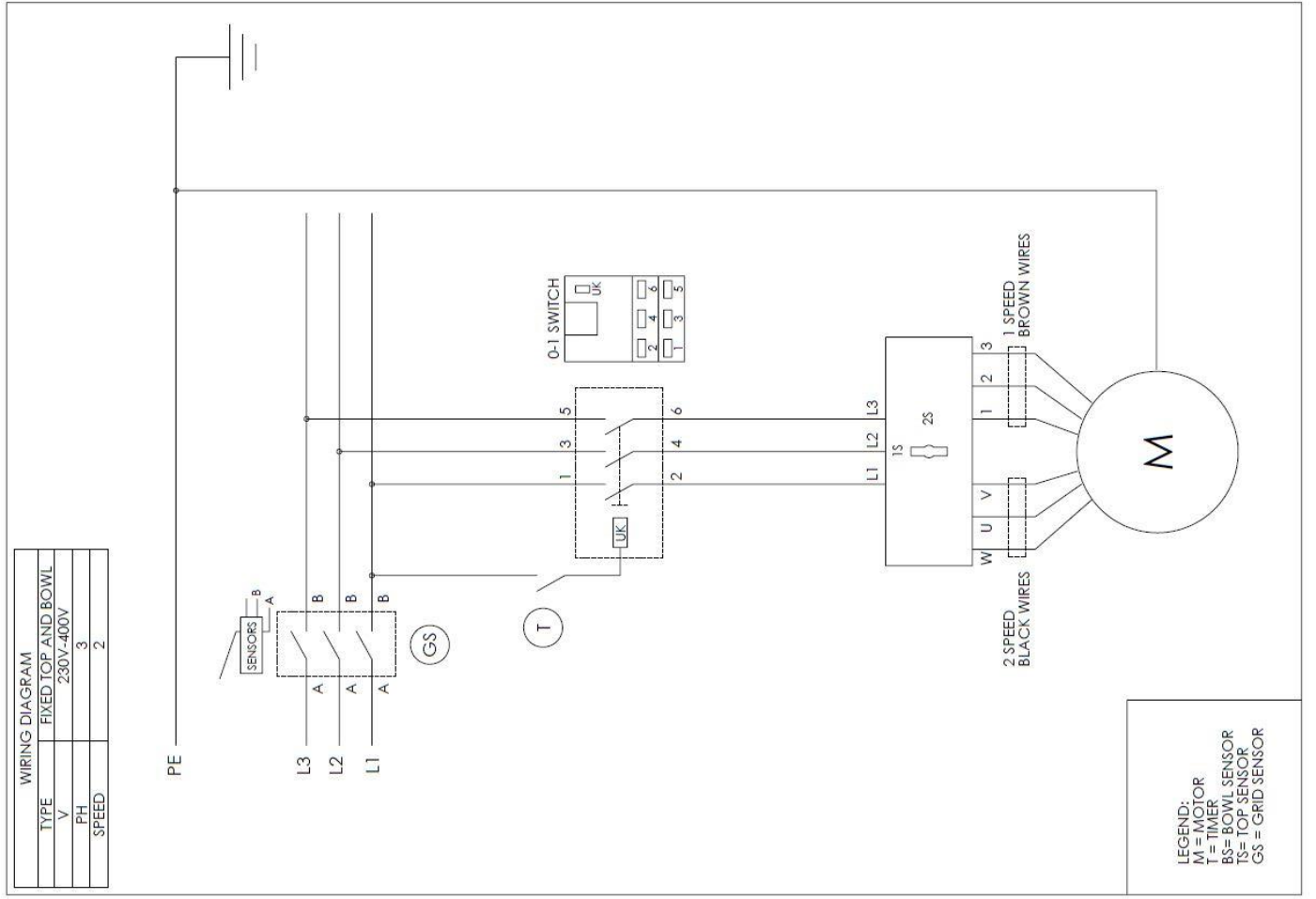
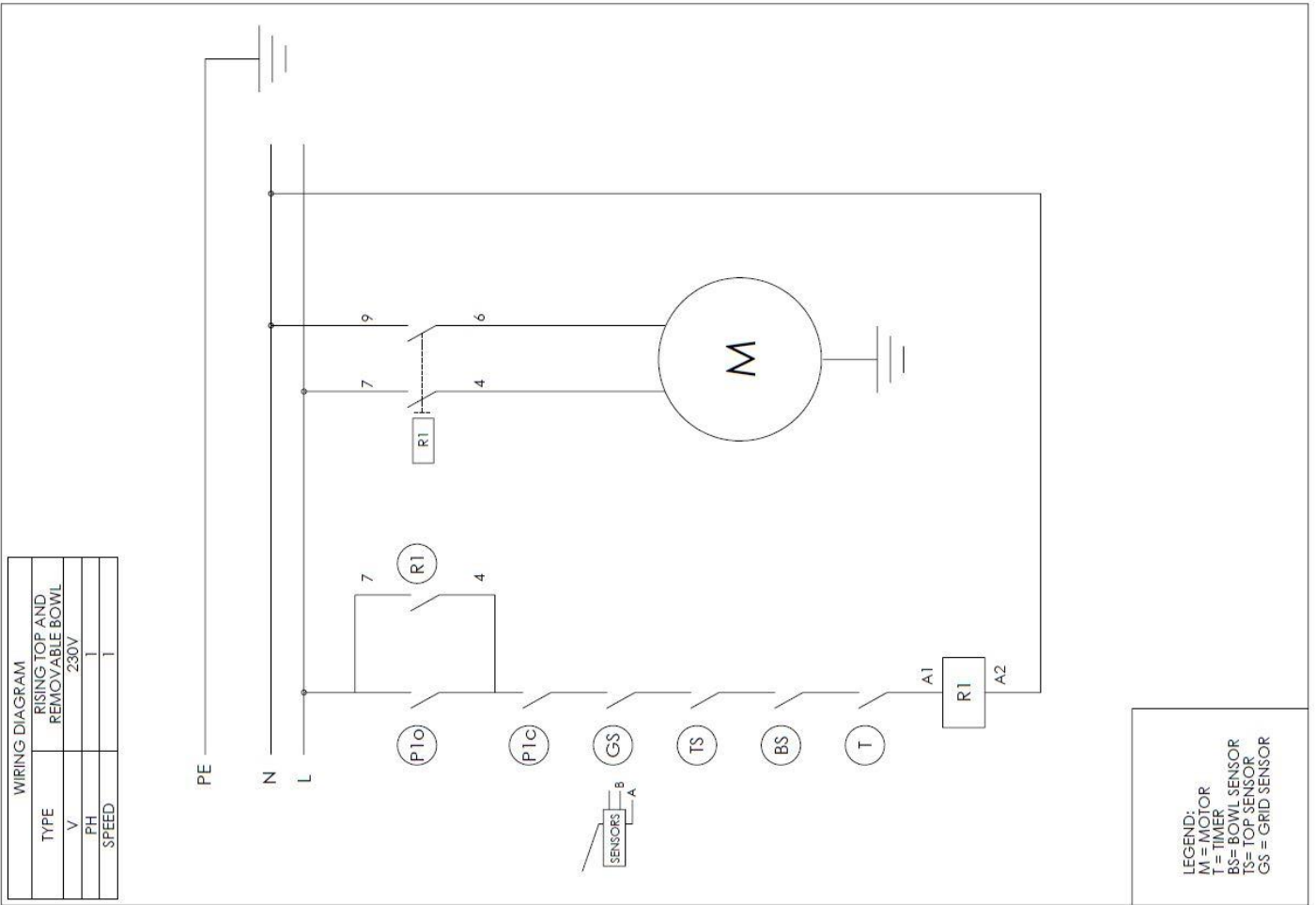
MOD : FD53/T2V-S

Production code : 11056060

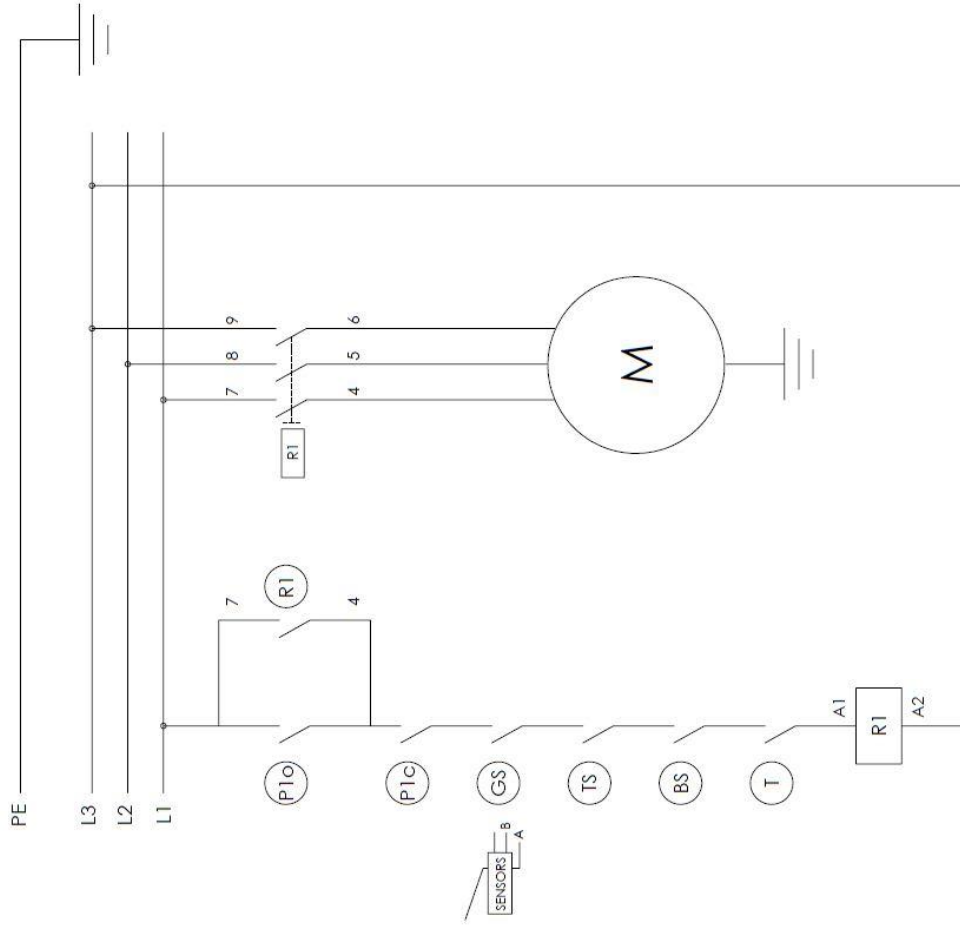
01/2024

WIRING DIAGRAMS



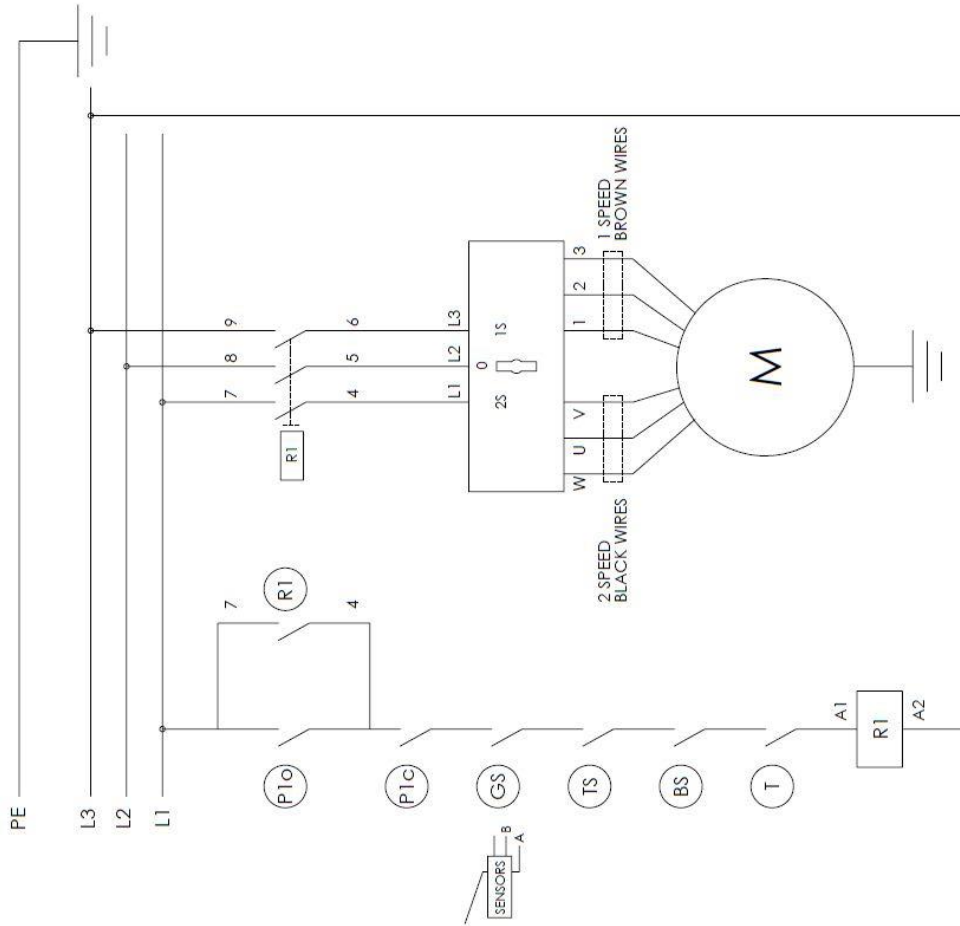


WIRING DIAGRAM	
TYPE	RISE TOP AND REMOVABLE BOWL
V	230V
PH	3
SPEED	1



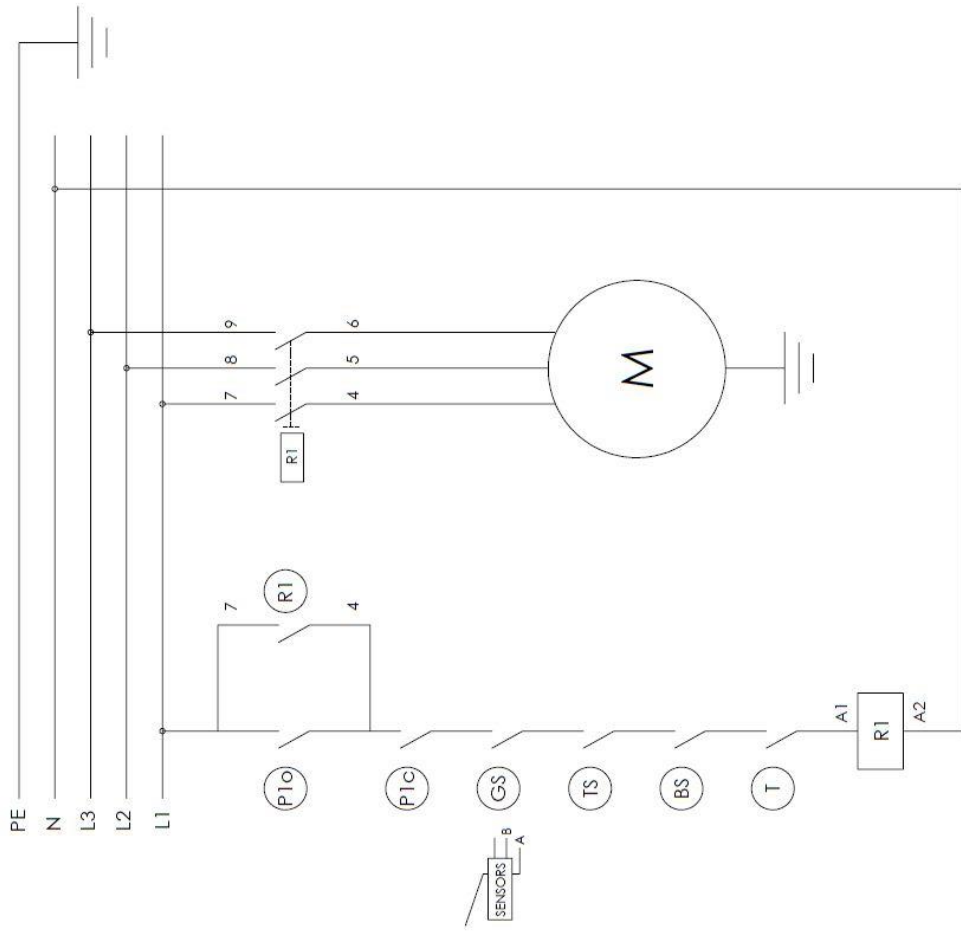
LEGEND:
M = MOTOR
T = TIMER
BS = BOWL SENSOR
TS = TOP SENSOR
GS = GRID SENSOR

WIRING DIAGRAM	
TYPE	RISE TOP AND REMOVABLE BOWL
V	230V
PH	3
SPEED	2



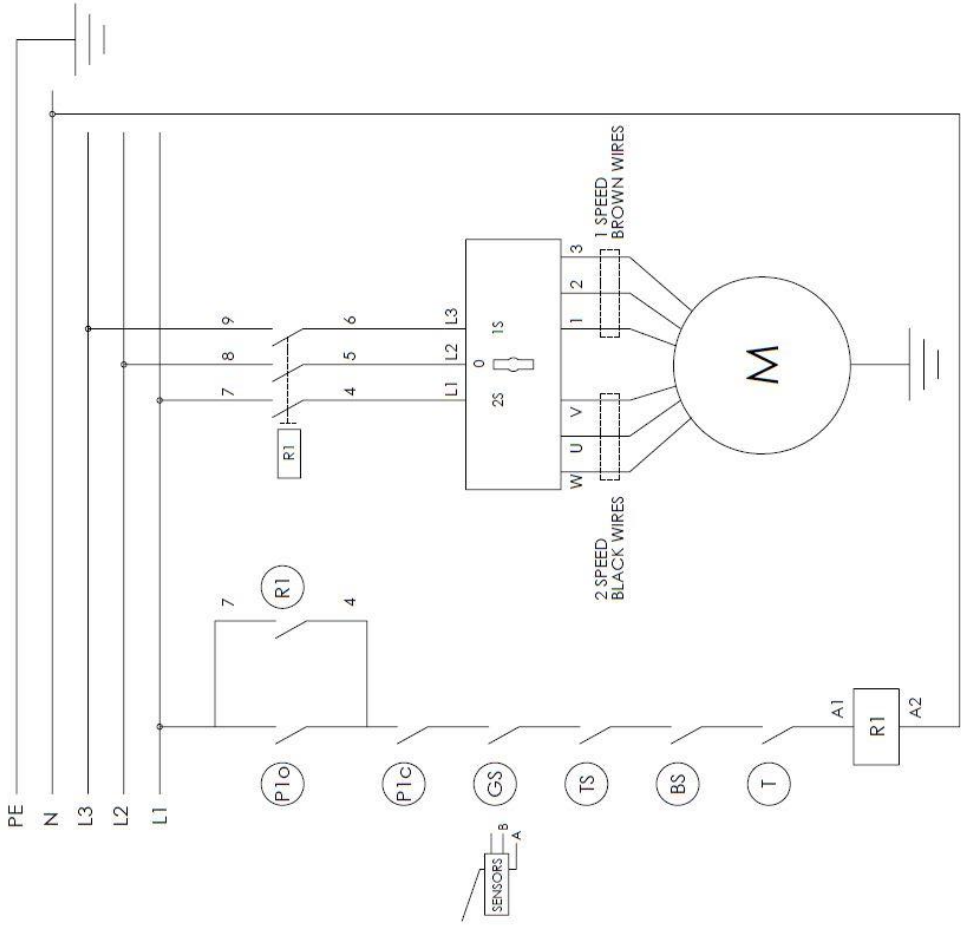
LEGEND:
M = MOTOR
T = TIMER
BS = BOWL SENSOR
TS = TOP SENSOR
GS = GRID SENSOR

WIRING DIAGRAM	
TYPE	RISE TOP AND REMOVABLE BOWL
V	400V
PH	3 + N
SPEED	1



LEGEND:
M = MOTOR
T = TIMER
BS = BOWL SENSOR
TS = TOP SENSOR
GS = GRID SENSOR

WIRING DIAGRAM	
TYPE	RISE TOP AND REMOVABLE BOWL
V	400V
PH	3 + N
SPEED	2



LEGEND:
M = MOTOR
T = TIMER
BS = BOWL SENSOR
TS = TOP SENSOR
GS = GRID SENSOR

