

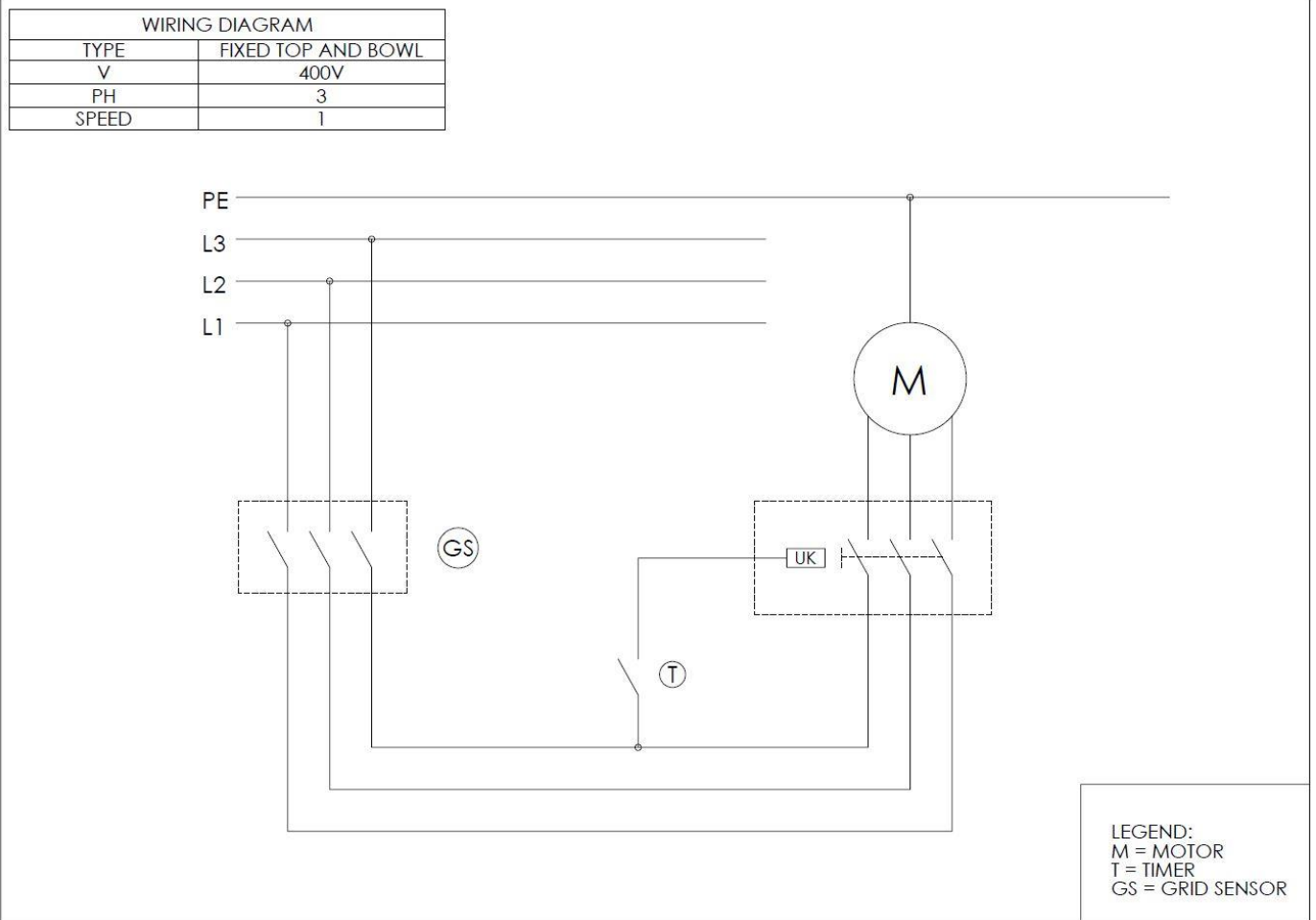
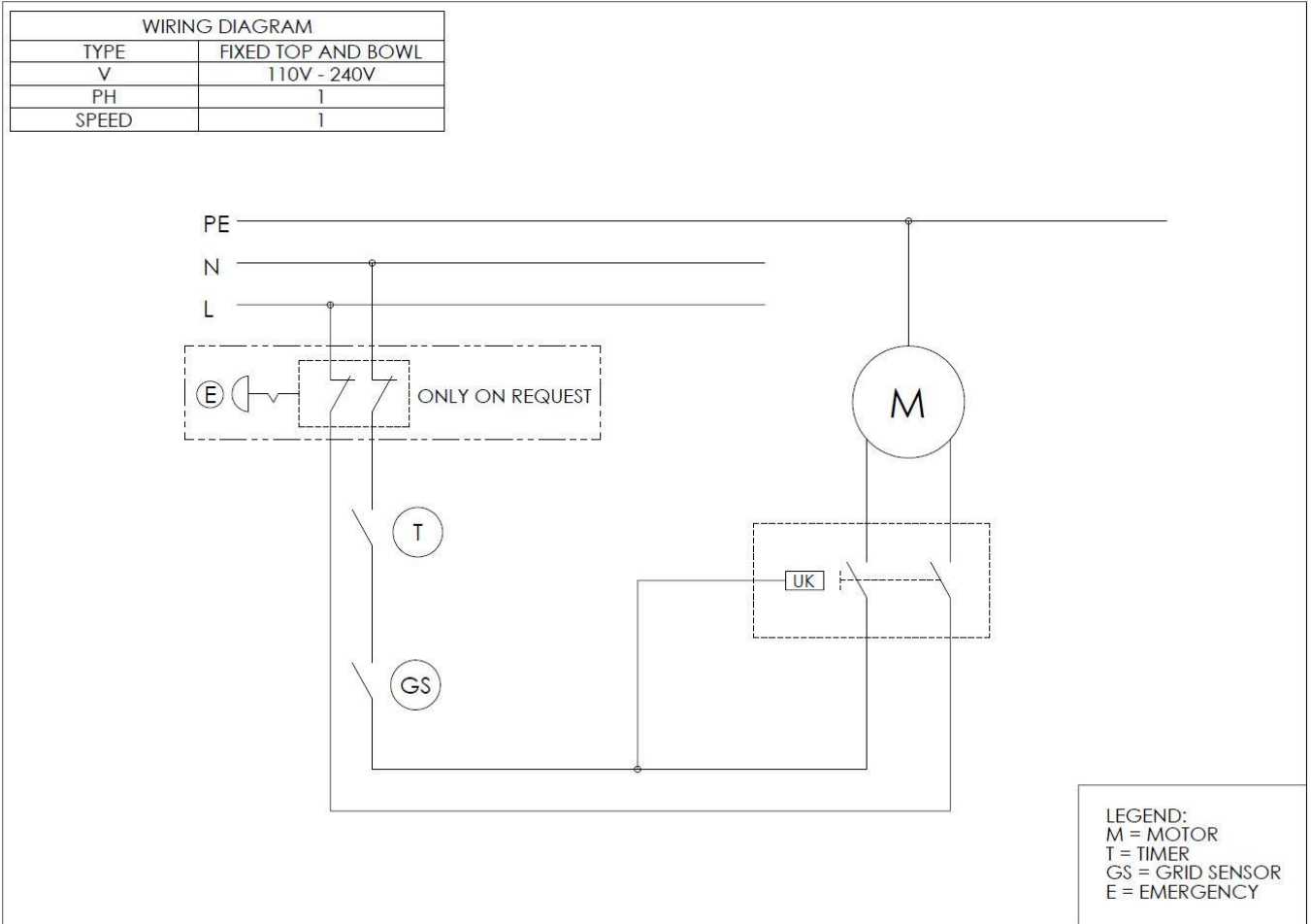


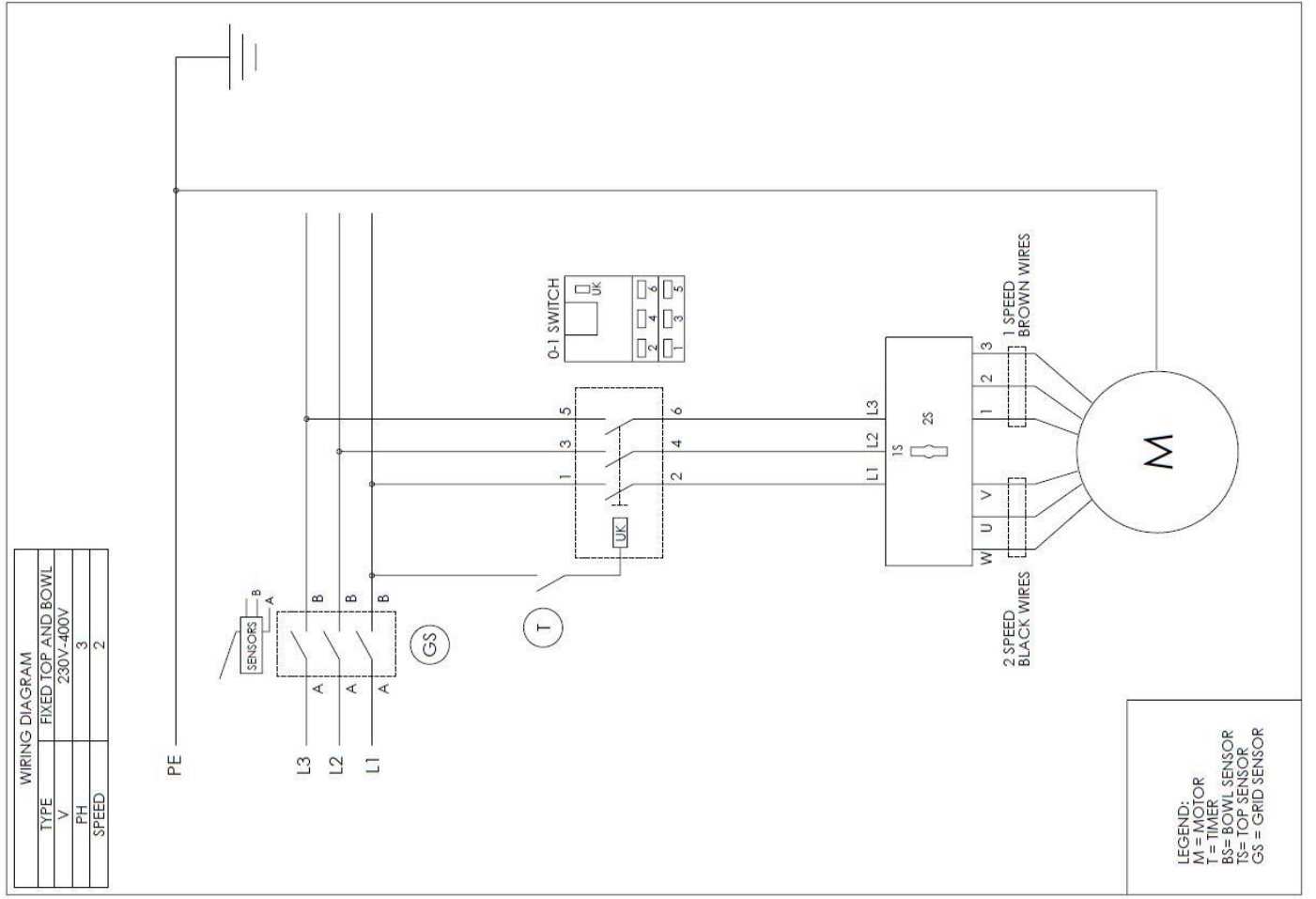
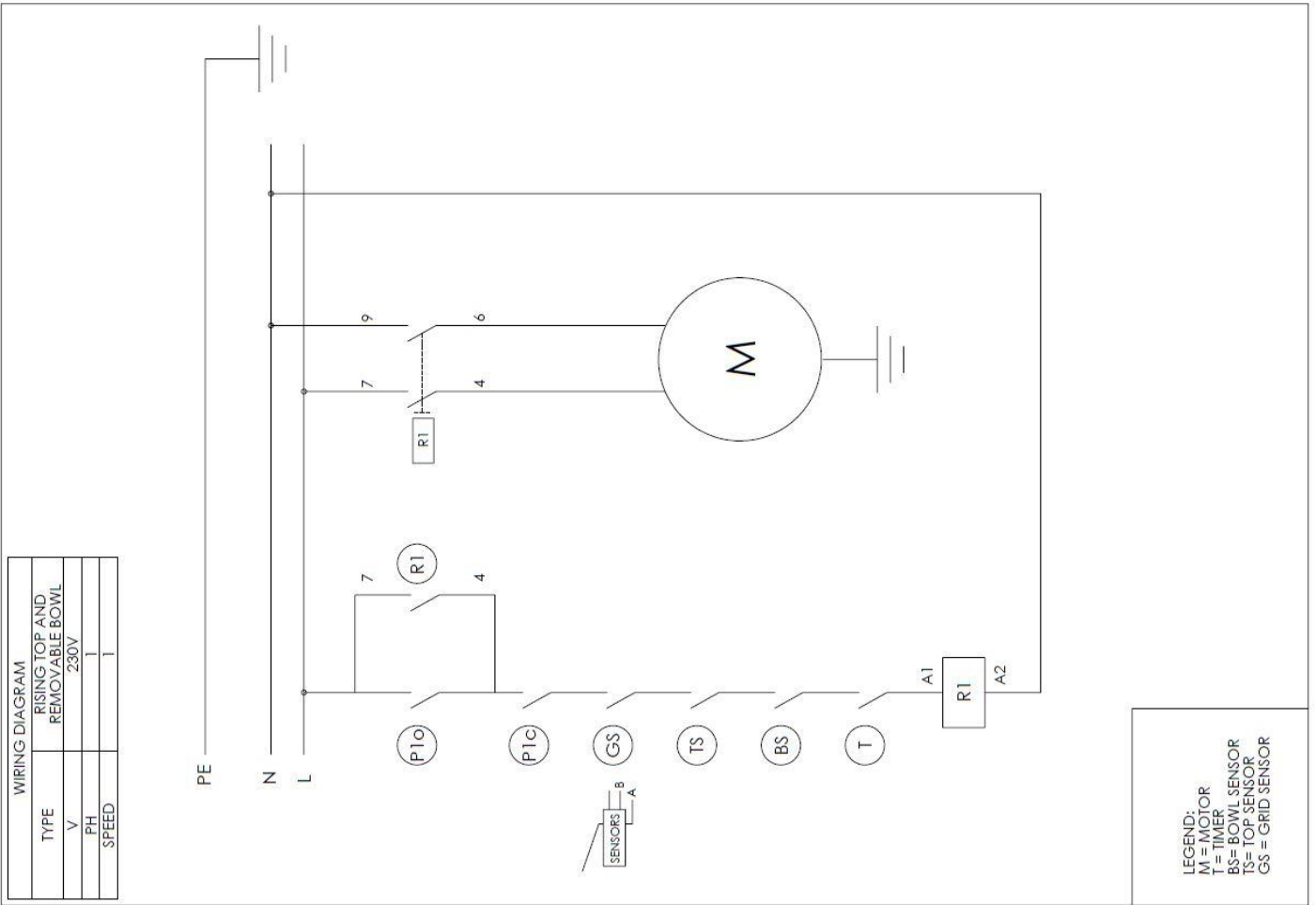
**MOD : FD22/M1-S**

**Production code : 11053000**

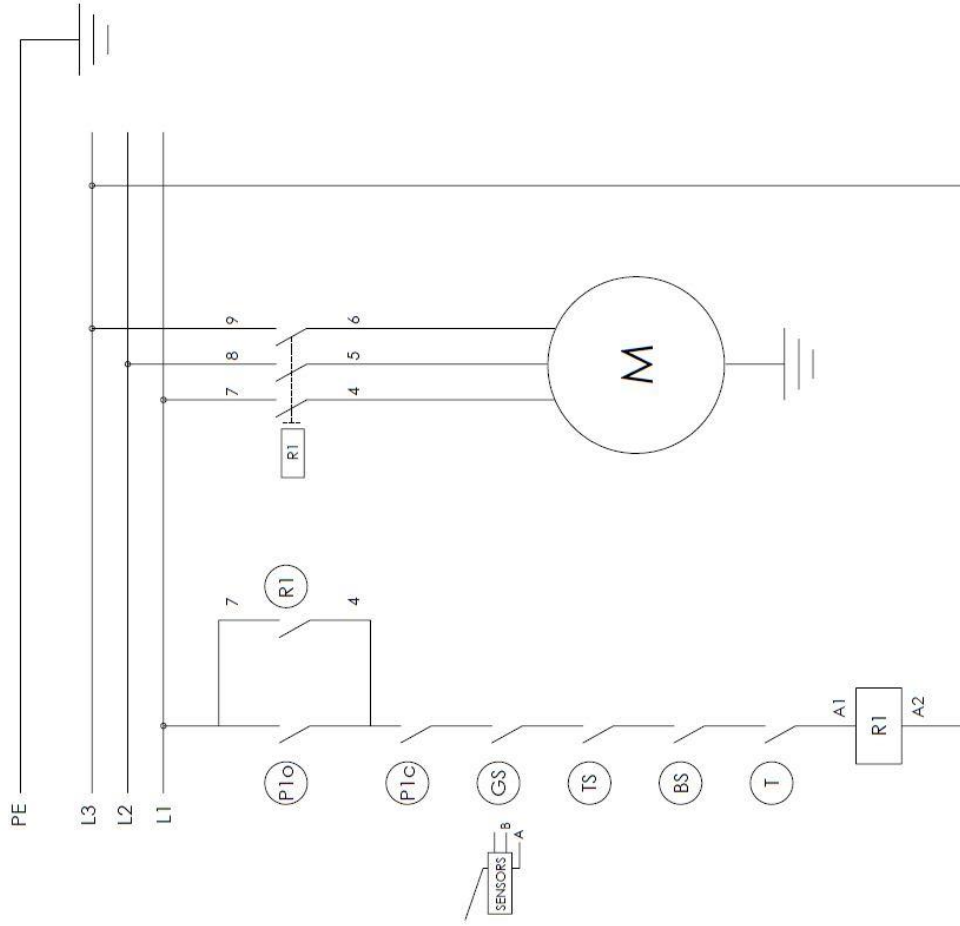
**01/2024**

# WIRING DIAGRAMS



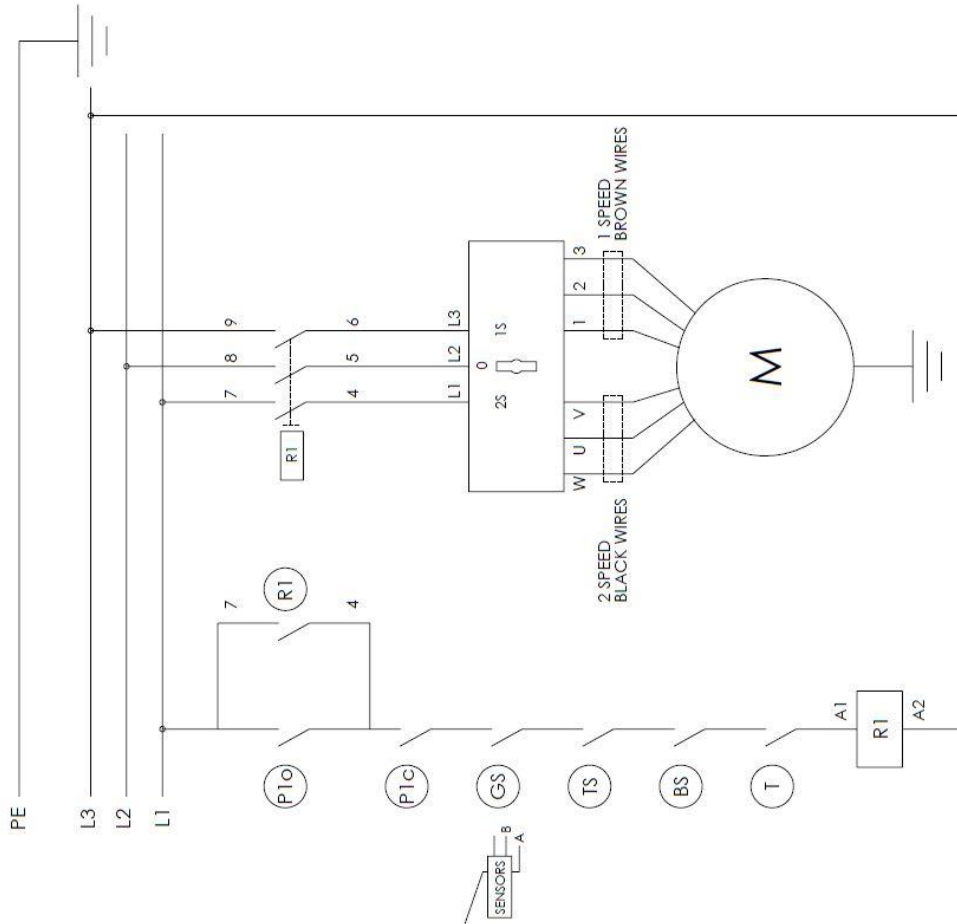


WIRING DIAGRAM	
TYPE	RISE TOP AND REMOVABLE BOWL
V	230V
PH	3
SPEED	1



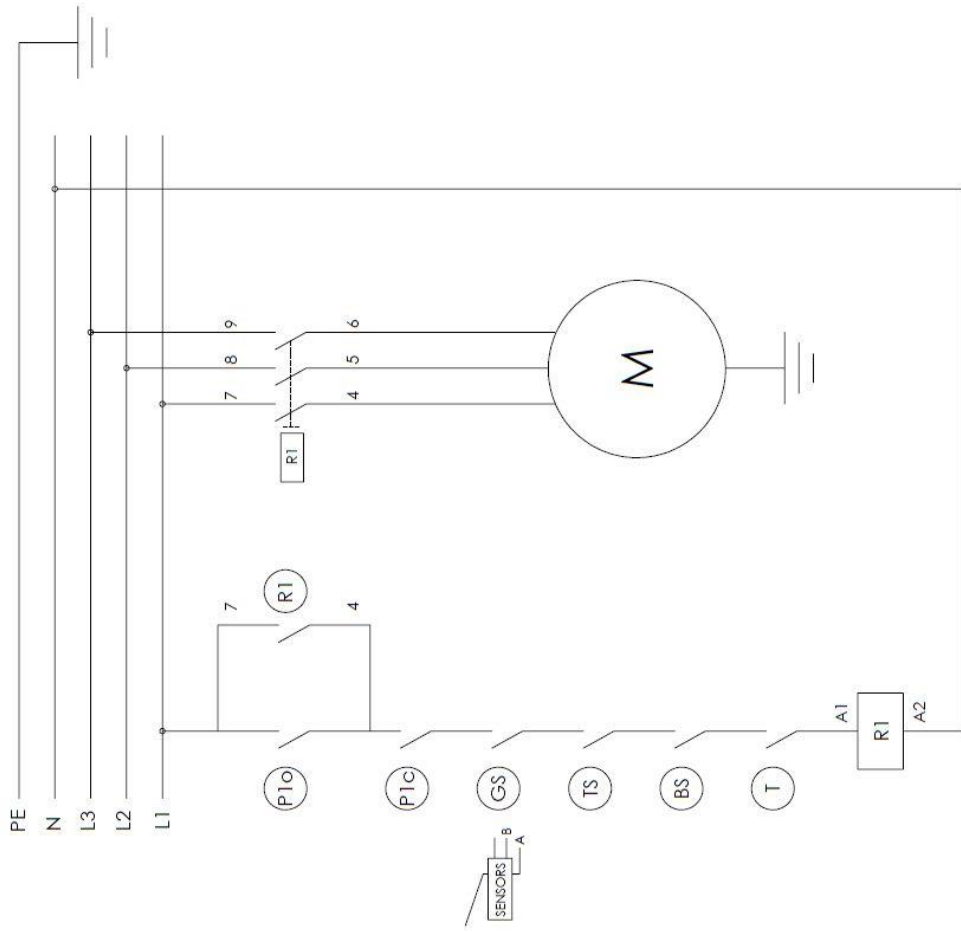
LEGEND:  
M = MOTOR  
T = TIMER  
BS = BOWL SENSOR  
TS = TOP SENSOR  
GS = GRID SENSOR

WIRING DIAGRAM	
TYPE	RISE TOP AND REMOVABLE BOWL
V	230V
PH	3
SPEED	2



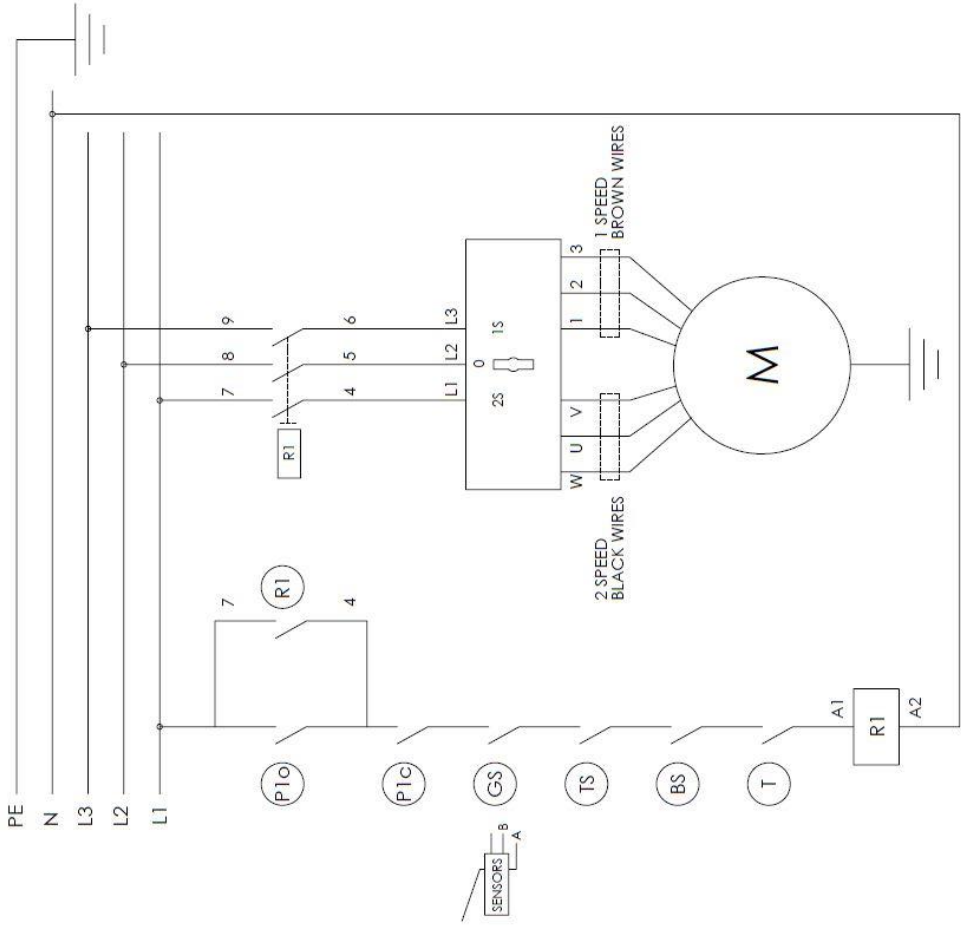
LEGEND:  
M = MOTOR  
T = TIMER  
BS = BOWL SENSOR  
TS = TOP SENSOR  
GS = GRID SENSOR

WIRING DIAGRAM	
TYPE	RISEING TOP AND REMOVABLE BOWL
V	400V
PH	3 + N
SPEED	1



LEGEND:  
M = MOTOR  
T = TIMER  
BS= BOWL SENSOR  
TS= TOP SENSOR  
GS = GRID SENSOR

WIRING DIAGRAM	
TYPE	RISEING TOP AND REMOVABLE BOWL
V	400V
PH	3 + N
SPEED	2



LEGEND:  
M = MOTOR  
T = TIMER  
BS= BOWL SENSOR  
TS= TOP SENSOR  
GS = GRID SENSOR

