



T&S BRASS AND BRONZE WORKS, INC.

2 Saddleback Cove / P.O. Box 1088
Travelers Rest, SC 29690

Model No.

EU-6WP12

Item No.

Travelers Rest, SC: 800-476-4103 • Simi Valley, CA: 800-423-0150 • Fax: 864-834-3518 • www.tsbrass.com

This Space for Architect/Engineer Approval

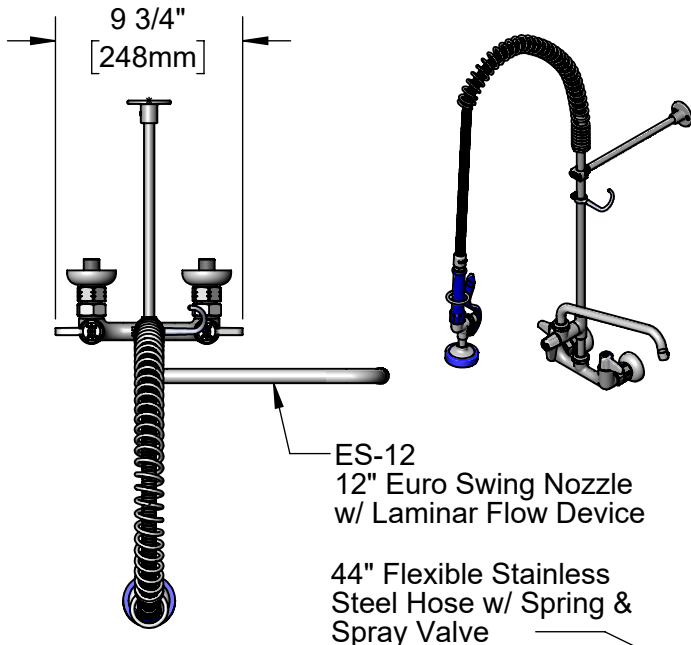
Job Name _____ Date _____

Model Specified _____ Quantity _____

Customer/Wholesaler _____

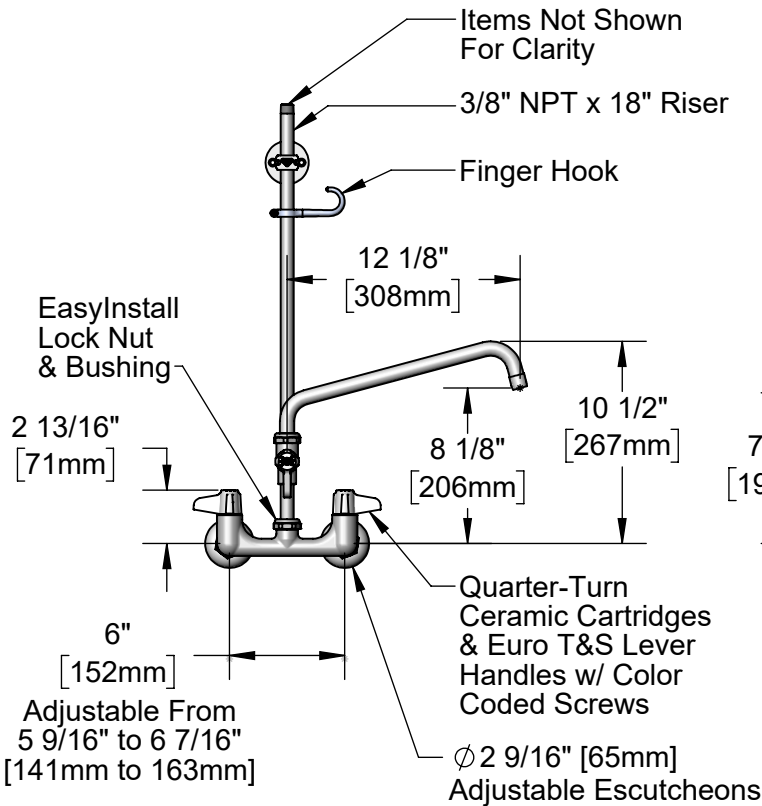
Contractor _____

Architect/Engineer _____



ES-12
12" Euro Swing Nozzle
w/ Laminar Flow Device

44" Flexible Stainless
Steel Hose w/ Spring &
Spray Valve



Items Not Shown
For Clarity

3/8" NPT x 18" Riser

Finger Hook

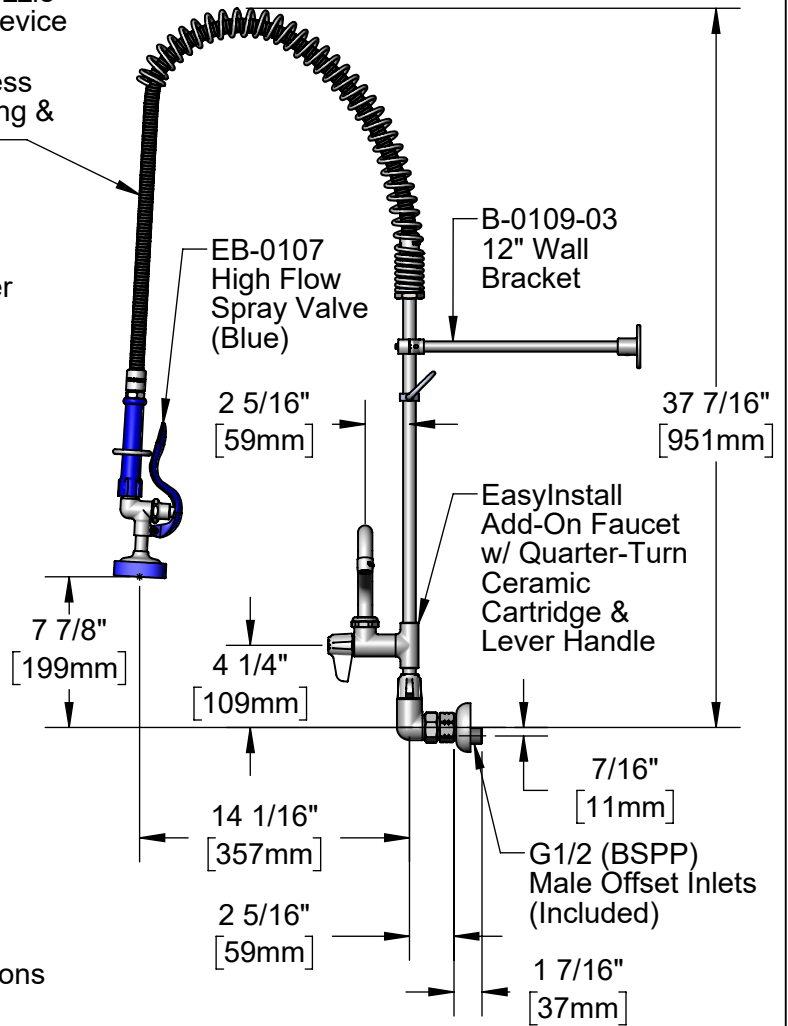
12 1/8"
[308mm]

10 1/2"
[267mm]

8 1/8"
[206mm]

Quarter-Turn
Ceramic Cartridges
& Euro T&S Lever
Handles w/ Color
Coded Screws

Ø 2 9/16" [65mm]
Adjustable Escutcheons



EB-0107
High Flow
Spray Valve
(Blue)

B-0109-03
12" Wall
Bracket

2 5/16"
[59mm]

37 7/16"
[951mm]

EasyInstall
Add-On Faucet
w/ Quarter-Turn
Ceramic
Cartridge &
Lever Handle

7 7/8"
[199mm]

4 1/4"
[109mm]

14 1/16"
[357mm]

7/16"
[11mm]

2 5/16"
[59mm]

G1/2 (BSPP)
Male Offset Inlets
(Included)

1 7/16"
[37mm]

Rough-In Requirement:
(2) Ø 1" [25mm] Mounting Holes

Product Specifications:

International Pre-Rinse Unit: 6" Wall Mount Mixing Faucet, Quarter-Turn Ceramic Cartridges, Euro Lever Handles, Add-On Faucet w/ 12" Euro Swing Nozzle, 44" Flexible Stainless Steel Hose, High Flow Spray Valve (Blue), 12" Wall Bracket, Integral Check Valves & G1/2 Male Offset Inlets w/ Adjustable Escutcheons

Product Compliance:

ASME A112.18.1 / CSA B125.1
NSF 61 - Section 9
NSF 372 (Low Lead Content)
2019 DOE PRSV Non-Compliant
Product Not Designed/Intended for
Commercial Warewashing in North America



T&S BRASS AND BRONZE WORKS, INC.

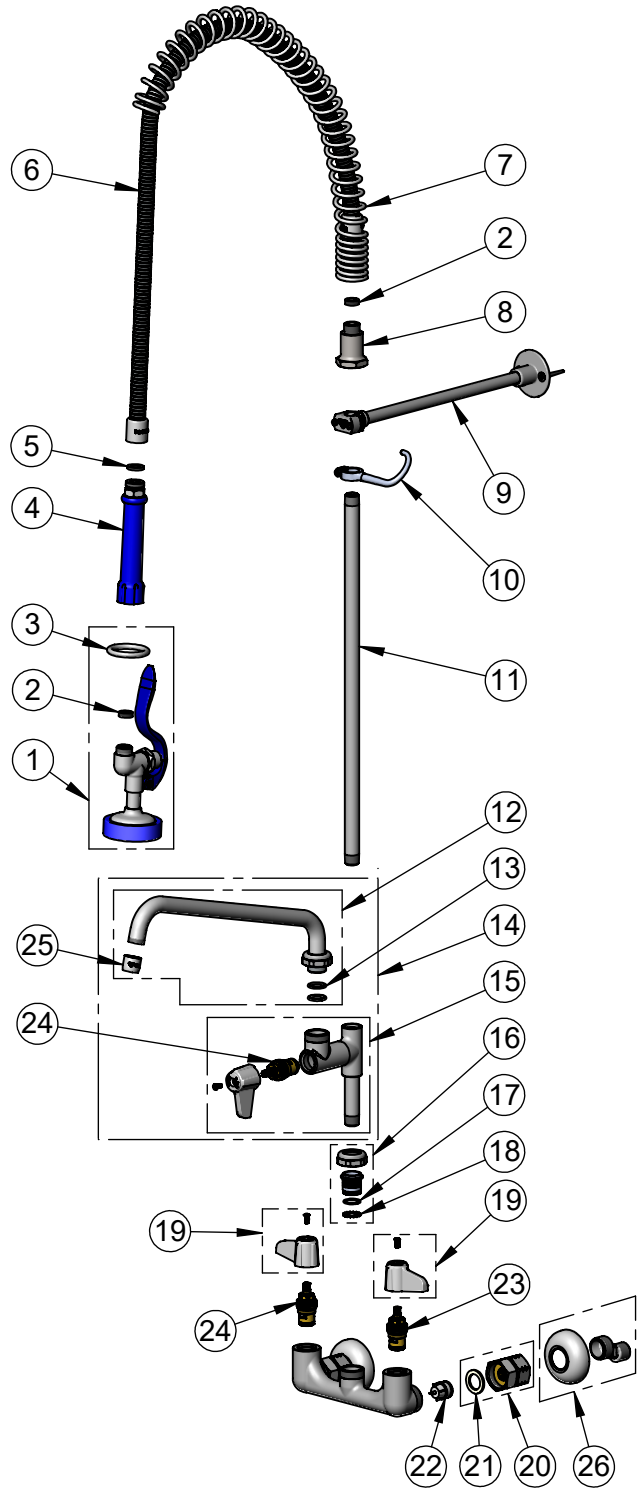
2 Saddleback Cove / P.O. Box 1088
Travelers Rest, SC 29690

Model No.

EU-6WP12

Item No.

Travelers Rest, SC: 800-476-4103 • Simi Valley, CA: 800-423-0150 • Fax: 864-834-3518 • www.tsbrass.com



ITEM NO.	SALES NO.	DESCRIPTION
1	EB-0107	High Flow Spray Valve (Blue)
2	010476-45	#27 Washer
3	000907-45	Spray Valve Hold Down Ring
4	011482-40	Grip Handle (Blue)
5	001014-45	Washer, B-0100 Hose Barrel
6	B-0044-H2A	44" Flexible Stainless Steel Hose, Less Handle
7	000888-45	EasyInstall Overhead Spring
8	000821-40	Spring Body
9	B-0109-03	12" Wall Bracket
10	004R	Finger Hook
11	000369-40	3/8" NPT x 18" Riser
12	ES-12	12" Euro Swing Nozzle
13	013848-45	O-Ring
14	EU-AF12	Add-On Faucet w/ Ceramic Cartridge, 12" Euro Swing Nozzle & Euro Lever Handle
15	EU-AF00	Euro Add-On Faucet
16	EU-EZ-K	Euro EasyInstall Kit
17	001062-45	O-Ring
18	014200-45	Star Washer, Anti-Rotation
19	E-HDL-L	Euro Lever Handle w/ (2) Color Coded Screws
20	EU-0467	G3/4 (BSPP) Wall Mount Adapter
21	001019-45	Coupling Nut Washer
22	013840-45	20mm Check Valve (2)
23	013788-45	Quarter-Turn Ceramic Cartridge, LTC (Blue)
24	013787-45	Quarter-Turn Ceramic Cartridge, RTC (Red)
25	014250-45	Laminar Flow Device, 3/4-27 UN Female
26	018237-45EX	G1/2 x G3/4 Offset Inlet w/ Escutcheon (2)

Product Specifications:

International Pre-Rinse Unit: 6" Wall Mount Mixing Faucet, Quarter-Turn Ceramic Cartridges, Euro Lever Handles, Add-On Faucet w/ 12" Euro Swing Nozzle, 44" Flexible Stainless Steel Hose, High Flow Spray Valve (Blue), 12" Wall Bracket, Integral Check Valves & G1/2 Male Offset Inlets w/ Adjustable Escutcheons

Product Compliance:

ASME A112.18.1 / CSA B125.1
NSF 61 - Section 9
NSF 372 (Low Lead Content)
2019 DOE PRSV Non-Compliant
Product Not Designed/Intended for
Commercial Warewashing in North America