



T&S BRASS AND BRONZE WORKS, INC.

2 Saddleback Cove / P.O. Box 1088
Travelers Rest, SC 29690

Model No.

EMPV-2DLN-06

Item No.

Travelers Rest, SC: 800-476-4103 • Simi Valley, CA: 800-423-0150 • Fax: 864-834-3518 • www.tsbrass.com

This Space for Architect/Engineer Approval

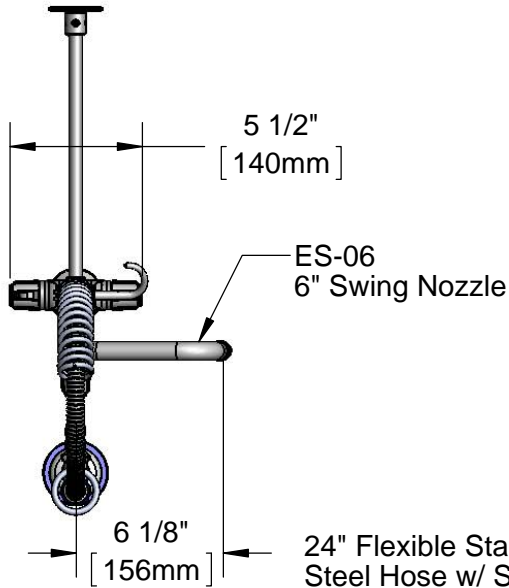
Job Name _____ Date _____

Model Specified _____ Quantity _____

Customer/Wholesaler _____

Contractor _____

Architect/Engineer _____



24" Flexible Stainless Steel Hose w/ Spring & Spray Valve

Items Not Shown For Clarity
3/8" NPT x 7" Riser
Finger Hook

EasyInstall Lock Nut & Bushing

4 1/4" [107mm]

11 15/16" [303mm]

9 1/2" [241mm]

Mounting Surface

Ceramic Cartridges & Euro Lever Handles w/ Color Coded Screws

18" [457mm] Flexible Supply Hose w/ Check Valves & Compression Fittings for 15mm OD Copper Tubing

EB-0107 High Flow Spray Valve

7" [177mm]

7 3/8" [188mm]

B-0109-03 12" Wall Bracket

EasyInstall Add-On Faucet w/ Ceramic Cartridge & Euro Lever Handle

1 7/16" [36mm] Maximum Thickness

24" [610mm]

Rough-In Requirement:
Ø 1 1/2" [38mm] Mounting Hole

Product Specifications:

Pre-Rinse Unit: EasyInstall Single Hole Deck Mount Mixing Faucet, Ceramic Cartridges, Euro Lever Handles, Add-On Faucet, 6" Swing Nozzle, 24" Flexible Stainless Steel Hose, High Flow Spray Valve, 12" Wall Bracket, 18" Flexible Hoses w/ Check Valves & 15mm OD Compression Fittings

Product Compliance:

EPA Act 2005 Non-Compliant (PRSV)



T&S BRASS AND BRONZE WORKS, INC.

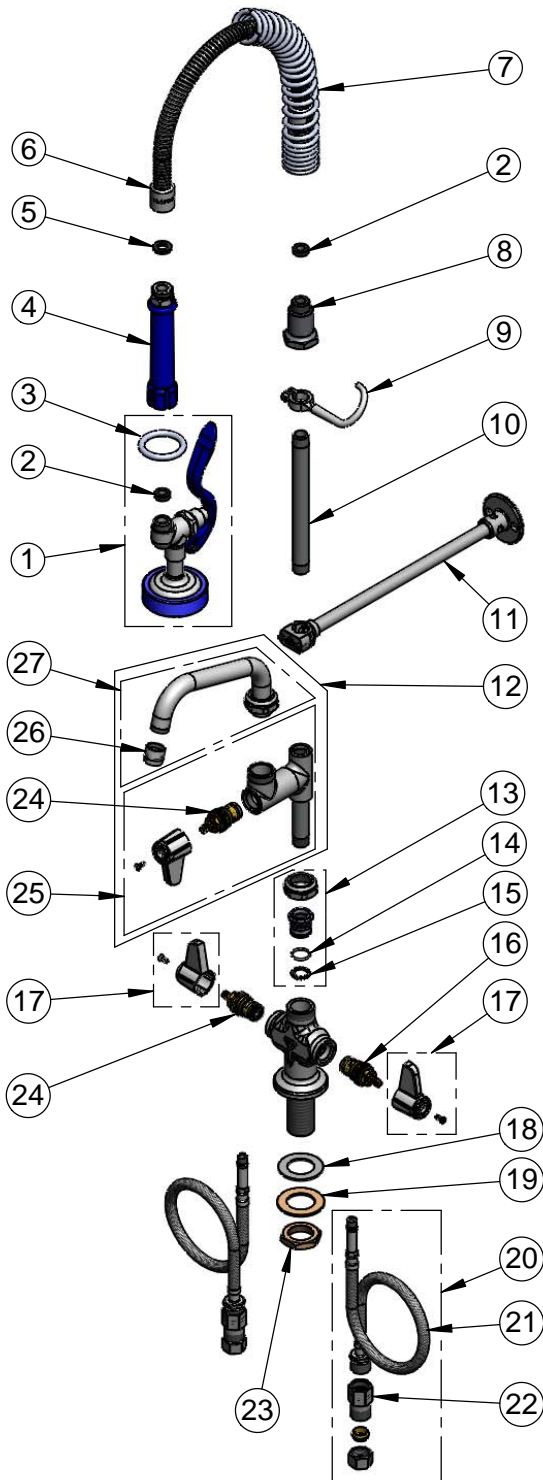
2 Saddleback Cove / P.O. Box 1088
Travelers Rest, SC 29690

Model No.

EMPV-2DLN-06

Item No.

Travelers Rest, SC: 800-476-4103 • Simi Valley, CA: 800-423-0150 • Fax: 864-834-3518 • www.tsbrass.com



ITEM NO.	SALES NO.	DESCRIPTION
1	EB-0107	High Flow Spray Valve (Blue)
2	010476-45	#27 Washer
3	000907-45	Hold Down Ring
4	011482-40	Grip Handle (Blue)
5	010475-45	Washer, B-0100 Hose Barrel
6	B-0024-H2A	24" Flexible Stainless Steel Hose, Less Handle
7	016795-45	Compact Pre-Rinse Spring
8	000821-40	Spring Body
9	004R	Finger Hook
10	000363-40	3/8" x 7" Riser
11	B-0109-03	12" Wall Bracket
12	EU-AF06	Add-On Faucet w/ 6" Swing Nozzle
13	EU-EZ-K	Euro EasyInstall Retro-Fit Kit
14	001062-45	O-Ring
15	014200-45	Star Washer, Anti-Rotation
16	013788-45	equip Quarter-Turn Ceramic Cartridge, LTC
17	E-HDL-L	Euro Lever Handle w/ Color Coded Screws
18	014612-45	Deck Seal
19	002290-45	Shank Washer
20	016068-25	Euro 15mm Flexible Supply Hose w/ Check Valve
21	012436-45	Euro 15mm Flexible Supply Hose
22	016047-25	15mm Check Valve w/ Housing
23	000965-45	Shank Lock Nut
24	013787-45	equip Quarter-Turn Ceramic Cartridge, RTC
25	EU-AF00	Add-On Faucet
26	014250-45	3/4" Full Flow Laminar Outlet
27	ES-06	6" Swing Nozzle, Euro

Product Specifications:

Pre-Rinse Unit: EasyInstall Single Hole Deck Mount Mixing Faucet, Ceramic Cartridges, Euro Lever Handles, Add-On Faucet, 6" Swing Nozzle, 24" Flexible Stainless Steel Hose, High Flow Spray Valve, 12" Wall Bracket, 18" Flexible Hoses w/ Check Valves & 15mm OD Compression Fittings

Product Compliance:

EPA Act 2005 Non-Compliant (PRSV)